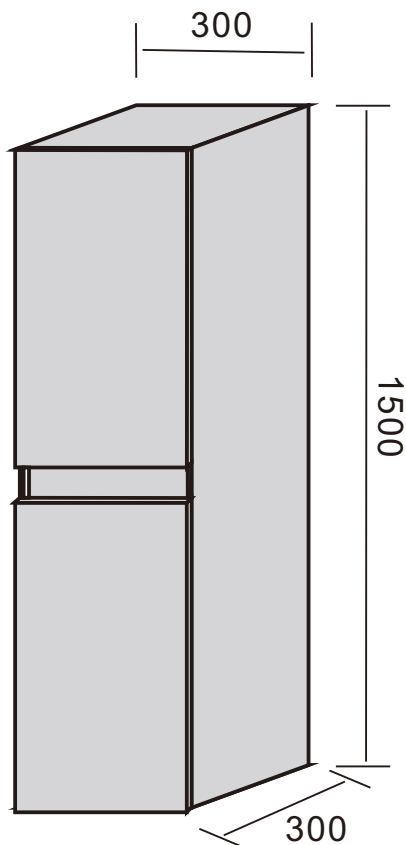
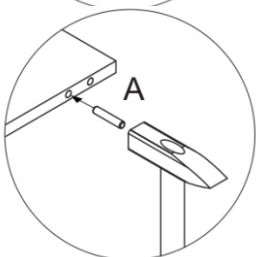
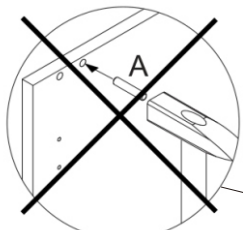
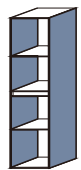
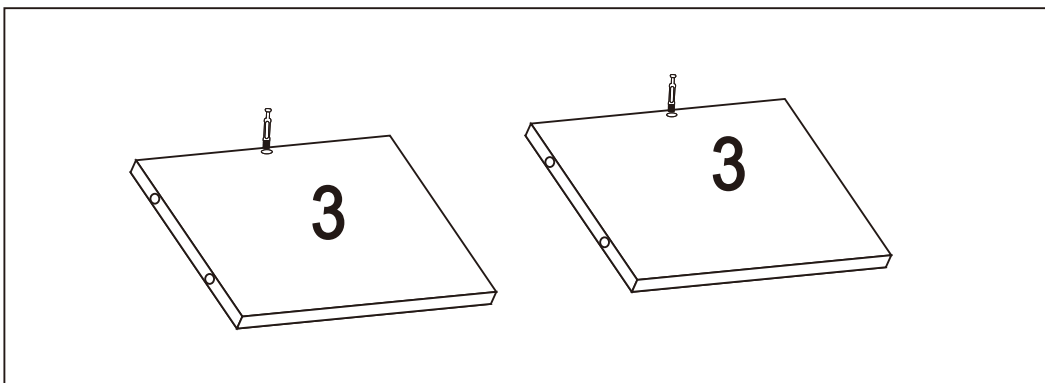
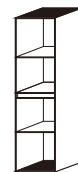


HT00001/HT00002/HT00003



a	4x	1	Left 1x
b	$\varnothing 14$ 22x	2	Right 1x
c	22x	3	2x
d	50mm 4x	4	3x
e	4x	5	2x
f	14mm 24x	6	1x
g	4x	7	Back 1x
h	4x	8	2x
k	12x		
m	M7*40mm 8x		



Note that the wood tips should go to the side plate first

