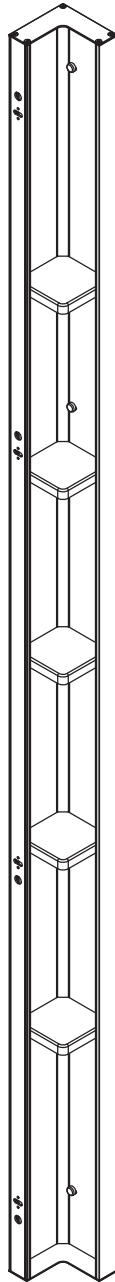
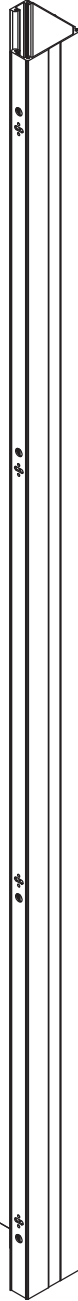




DANSANI
DANISH BATHROOM DESIGN



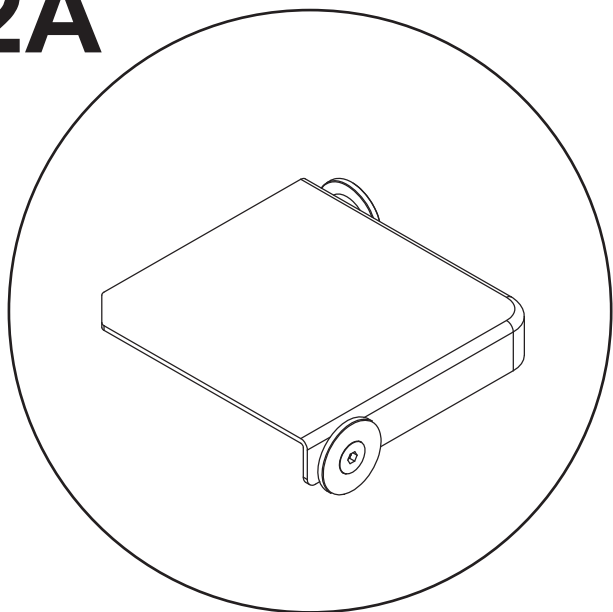
1



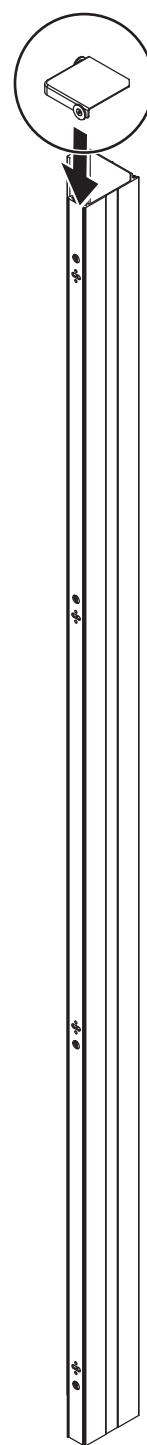
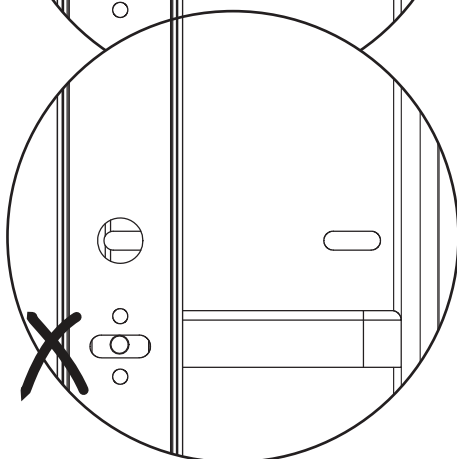
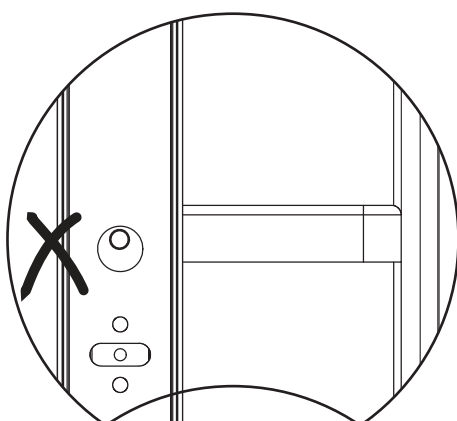
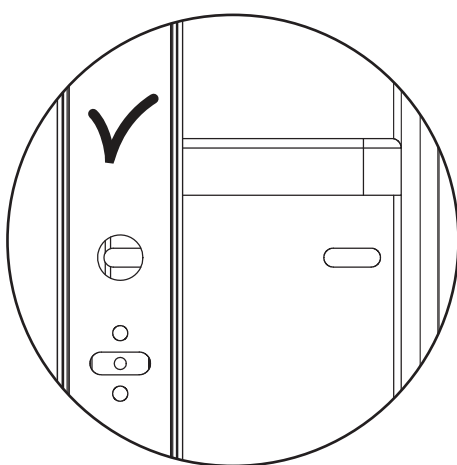
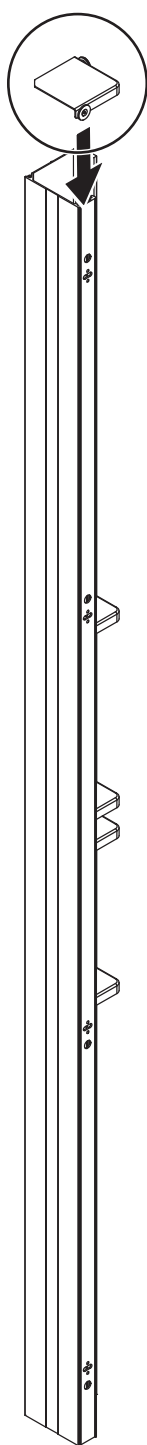
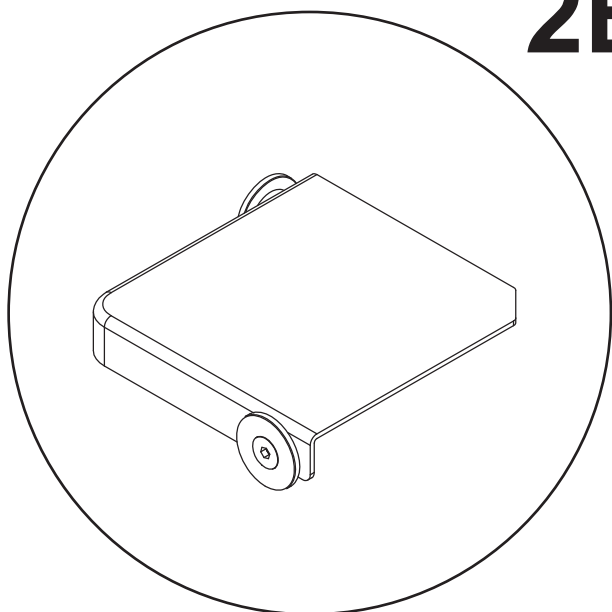
→ 2A

→ 2B

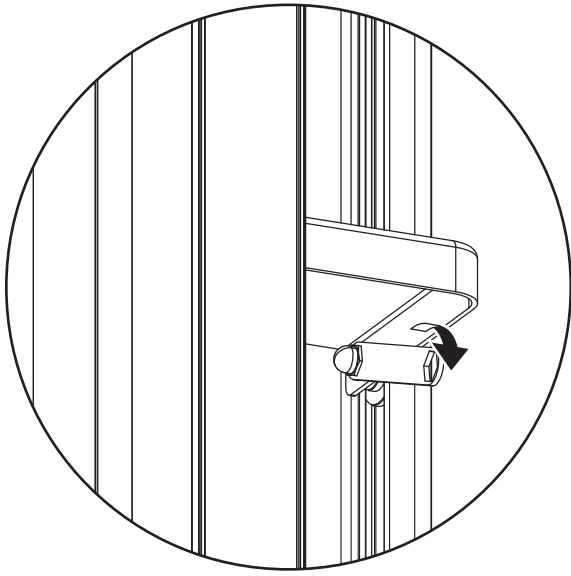
2A



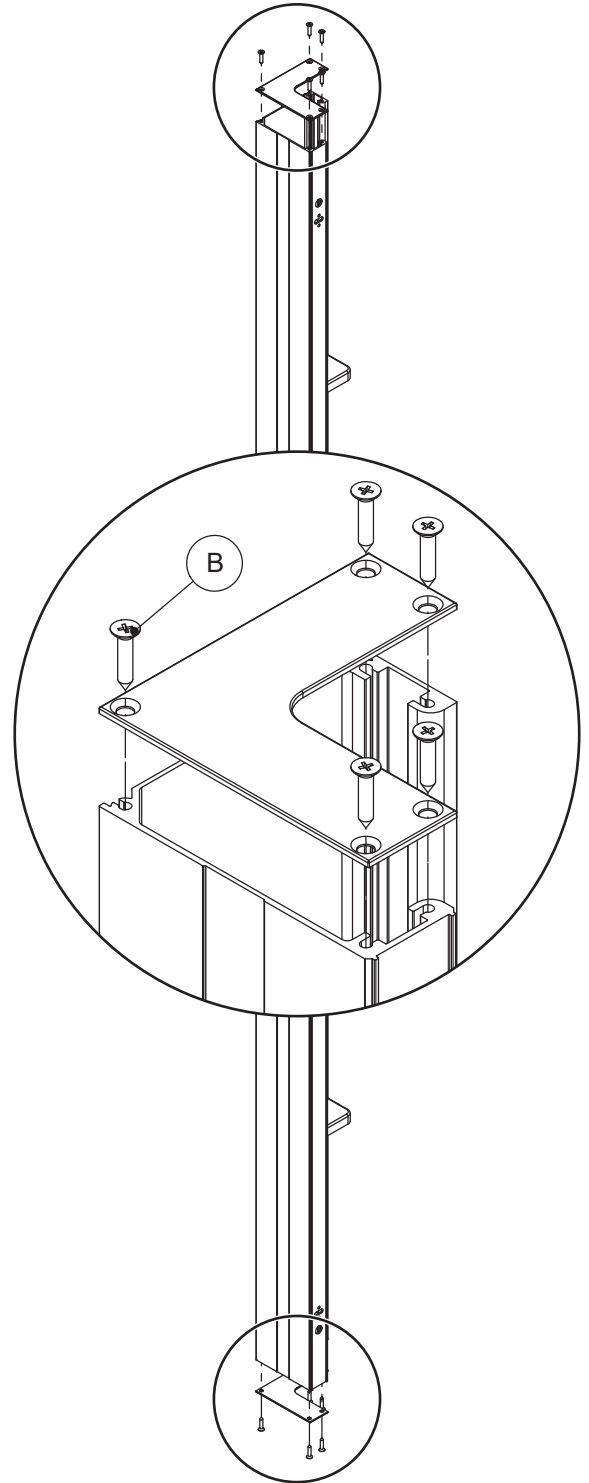
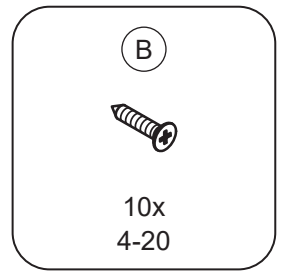
2B

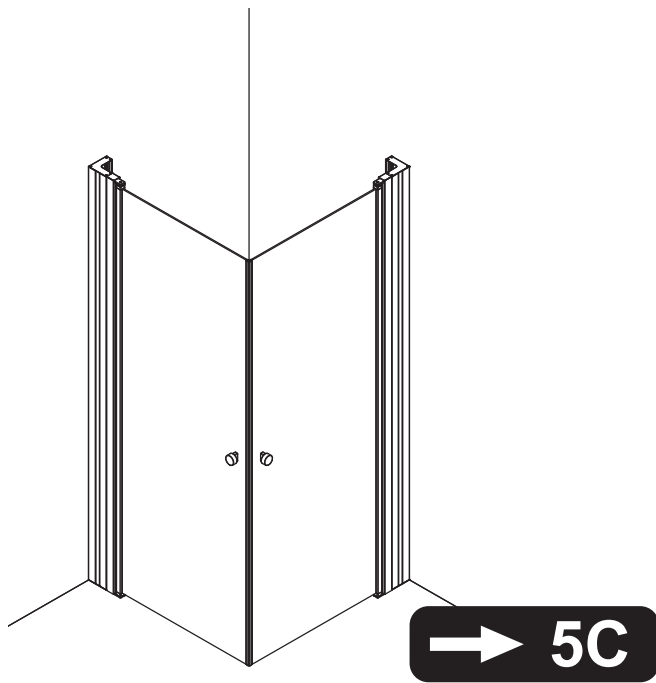
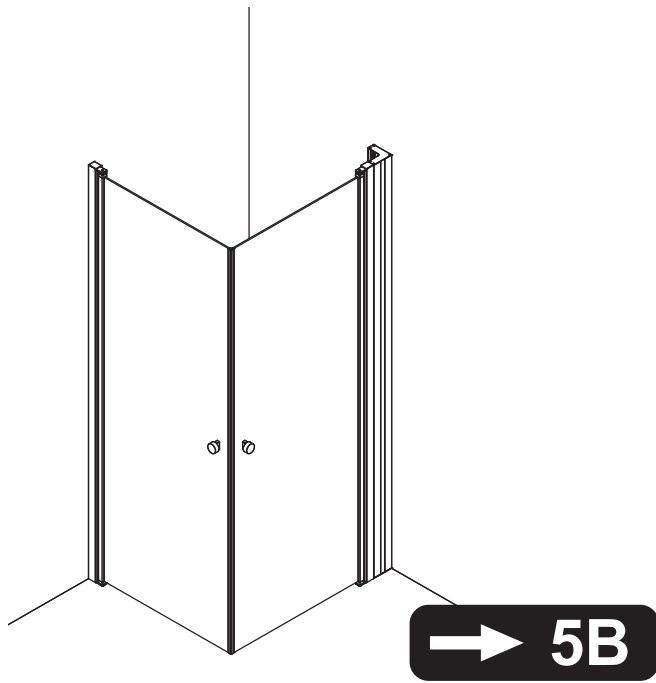
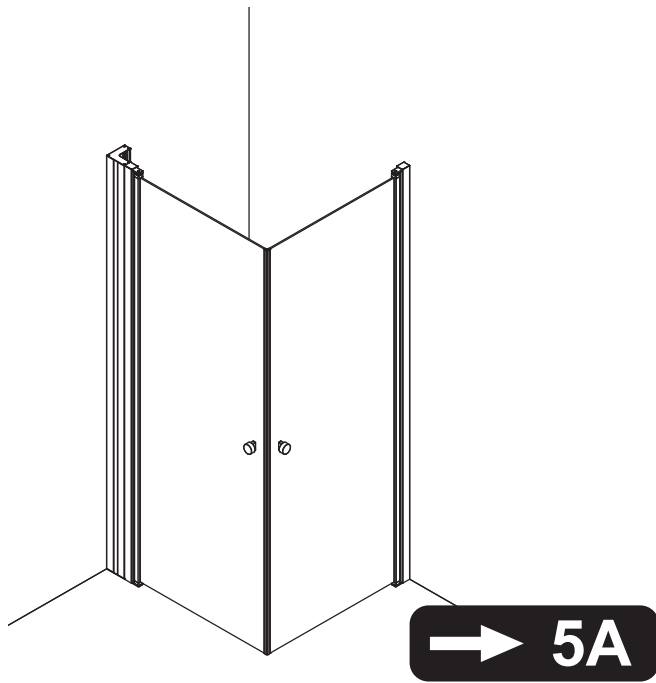


3

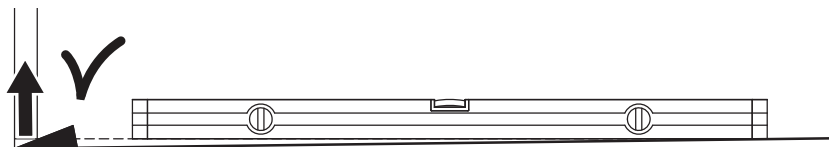
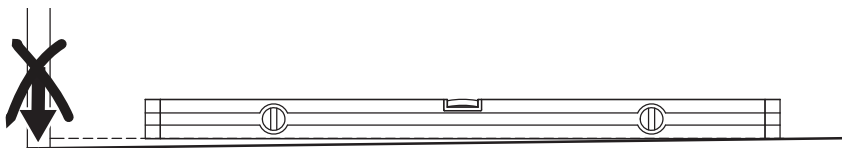
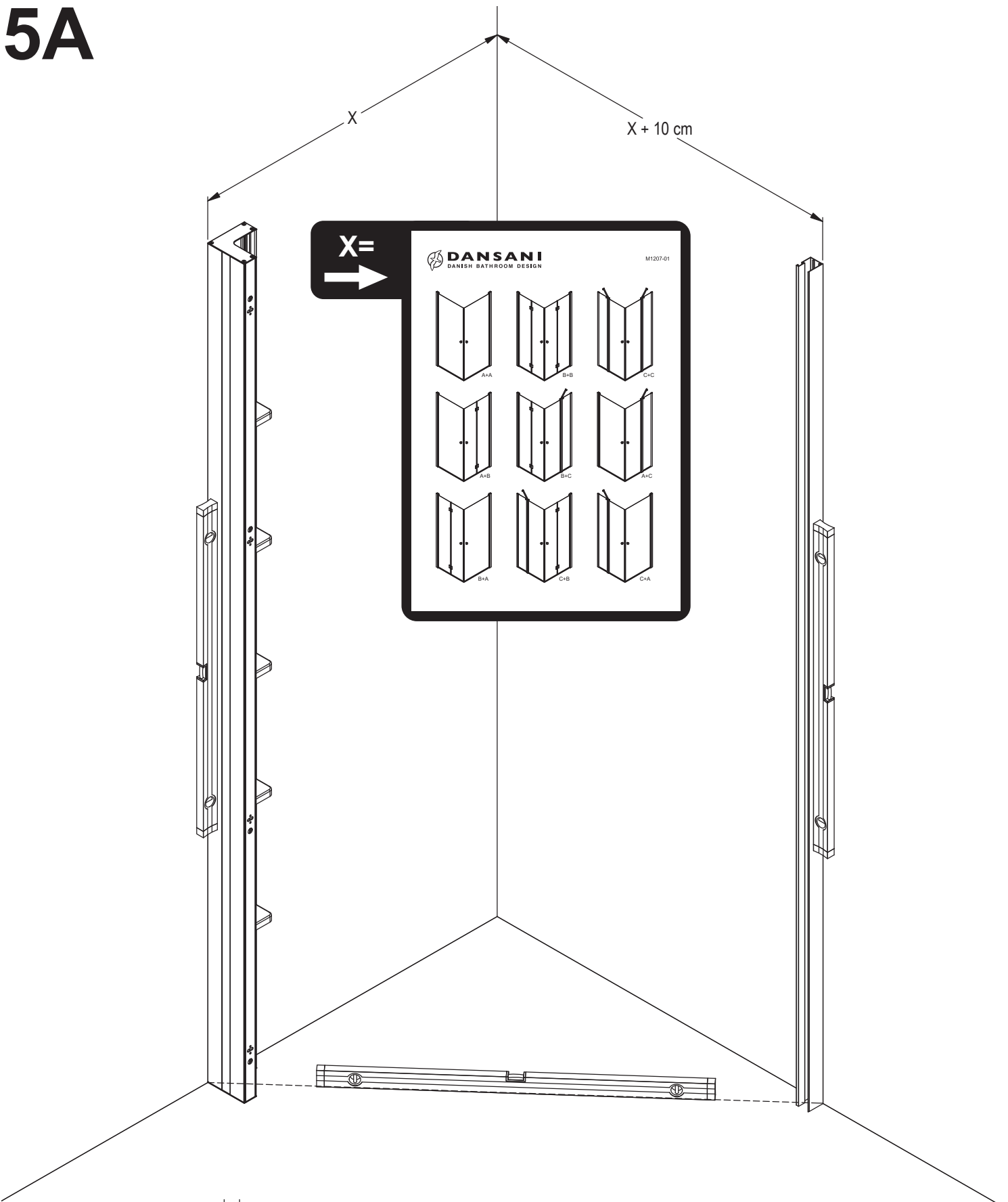


4

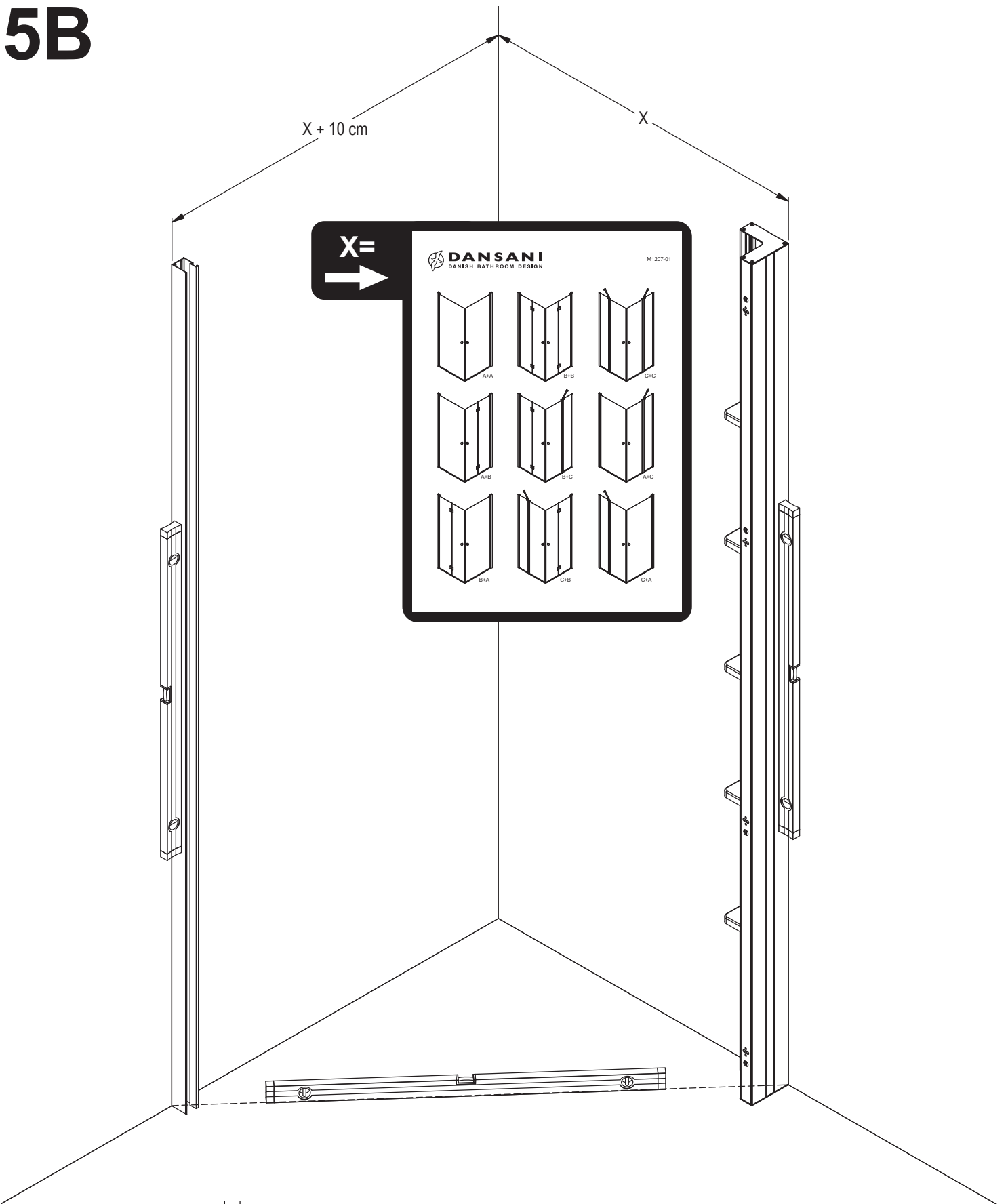




5A



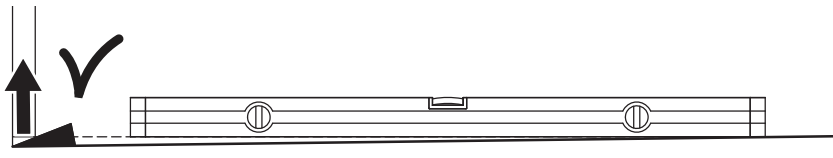
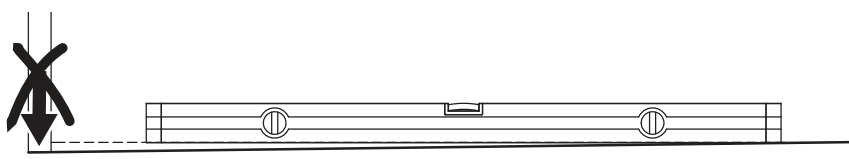
5B



X=
→

DANSANI
DANISH BATHROOM DESIGN

M1207-01



5C

$X + 10 \text{ cm}$

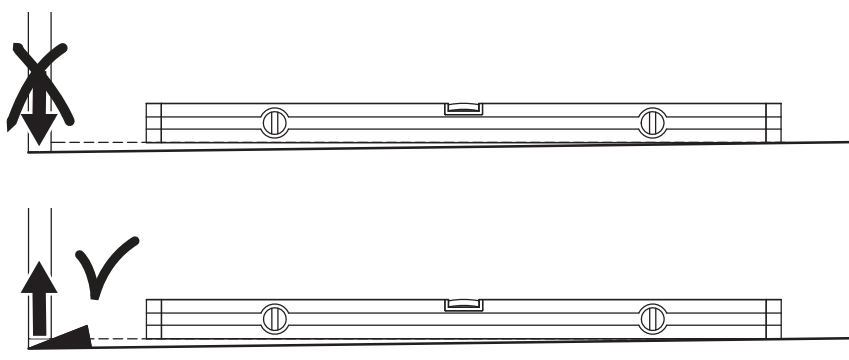
$X + 10 \text{ cm}$

X= →

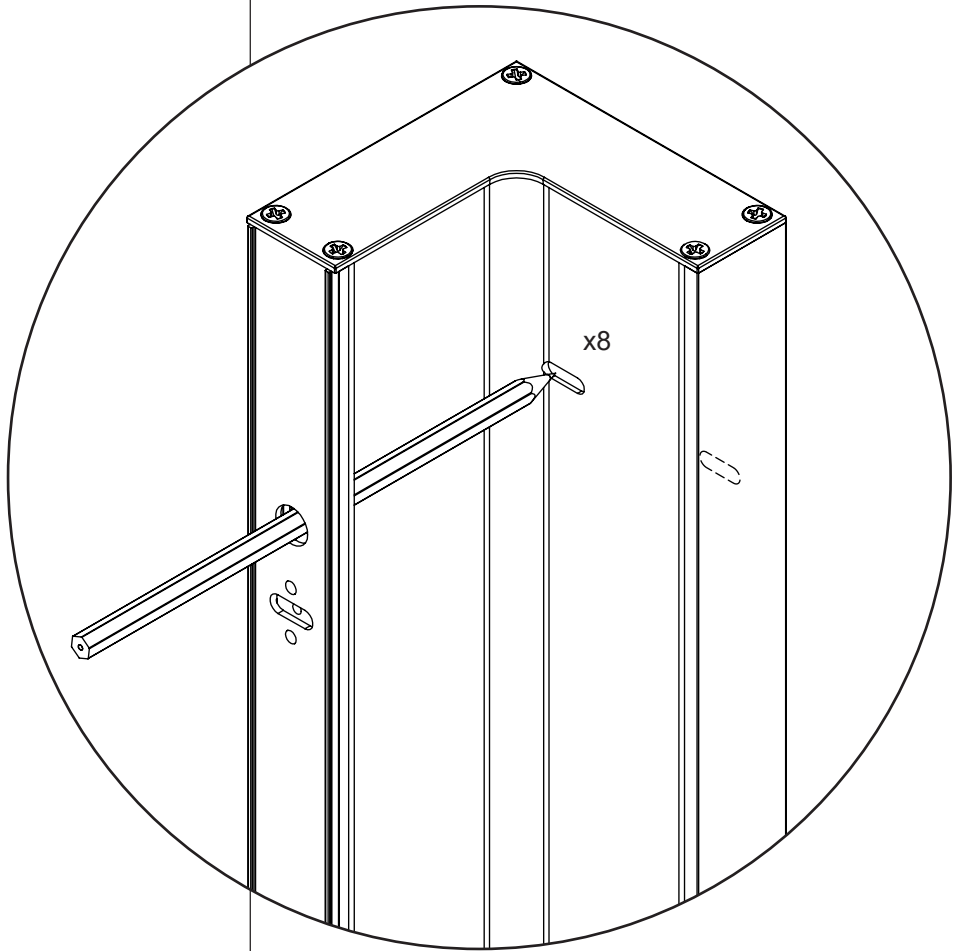
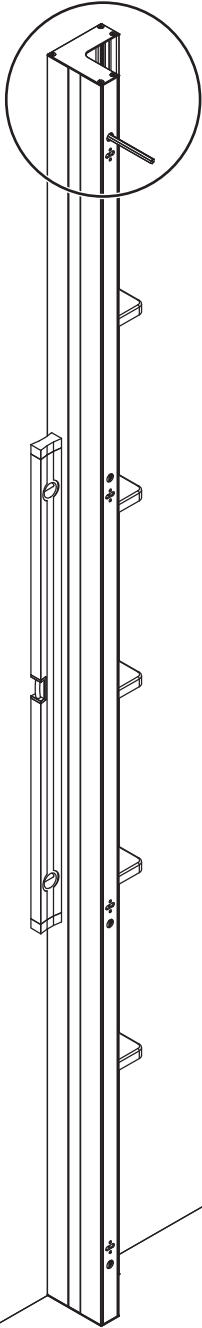
DANSANI
DANISH BATHROOM DESIGN

M1207-01

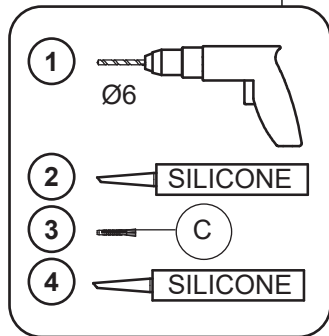
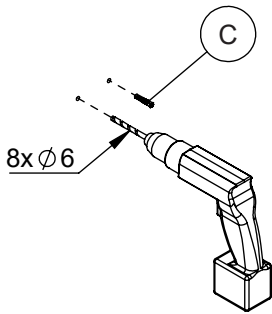
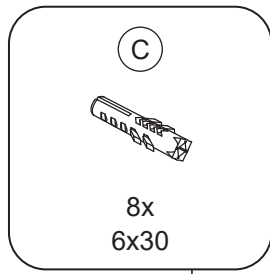
 A+A	 B+B	 C+C
 A+B	 B+C	 A+C
 B+A	 C+B	 C+A



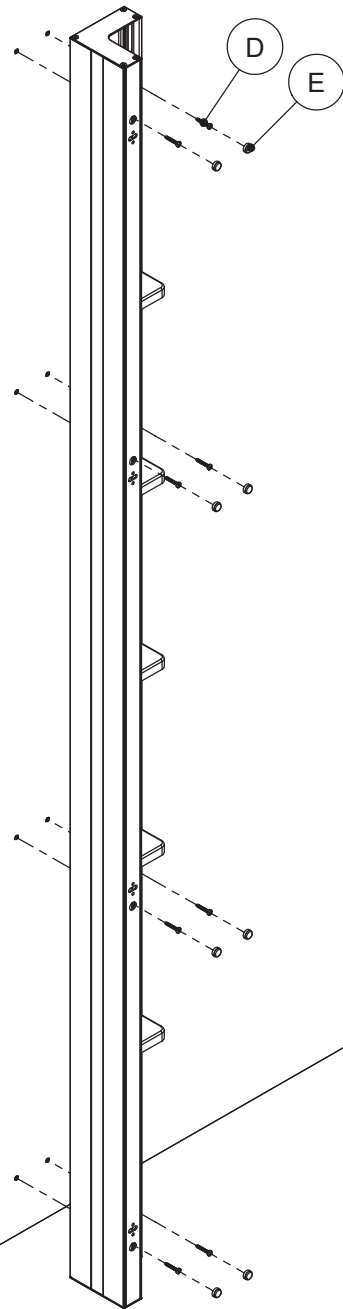
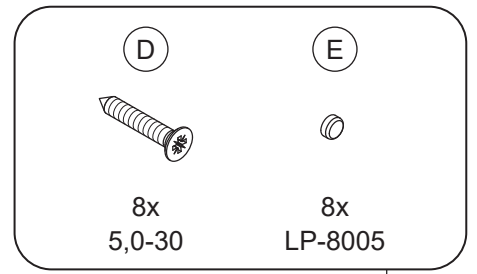
6



7




8

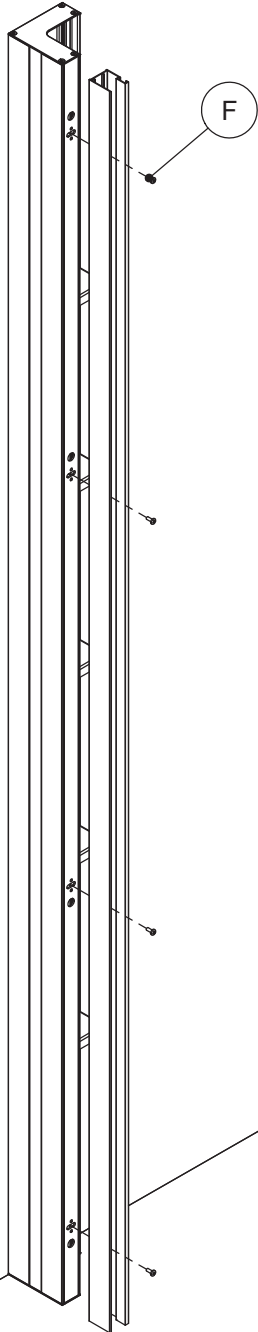


9


(F)




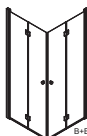







4x
M4-10P



→
1091

 **DANSANI**
DANISH BATHROOM DESIGN

M1207-01

 A+A	 B+B	 C+C
 A+B	 B+C	 A+C
 B+A	 C+B	 C+A

