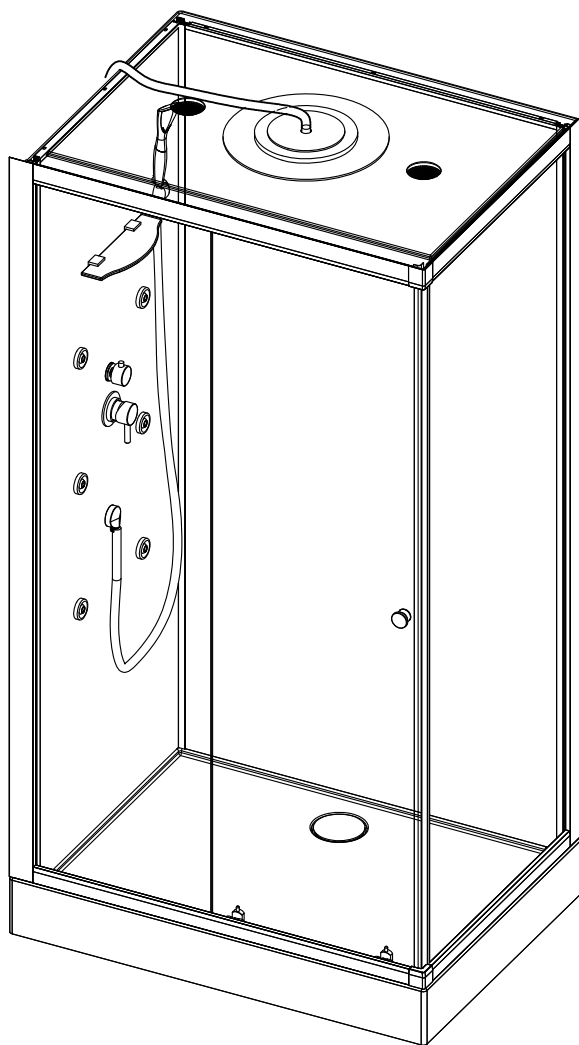
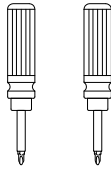
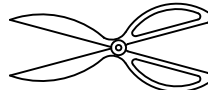
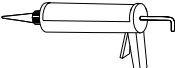
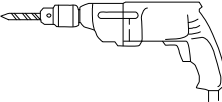

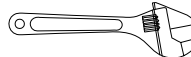

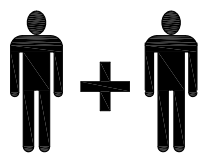

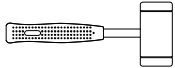
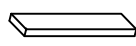




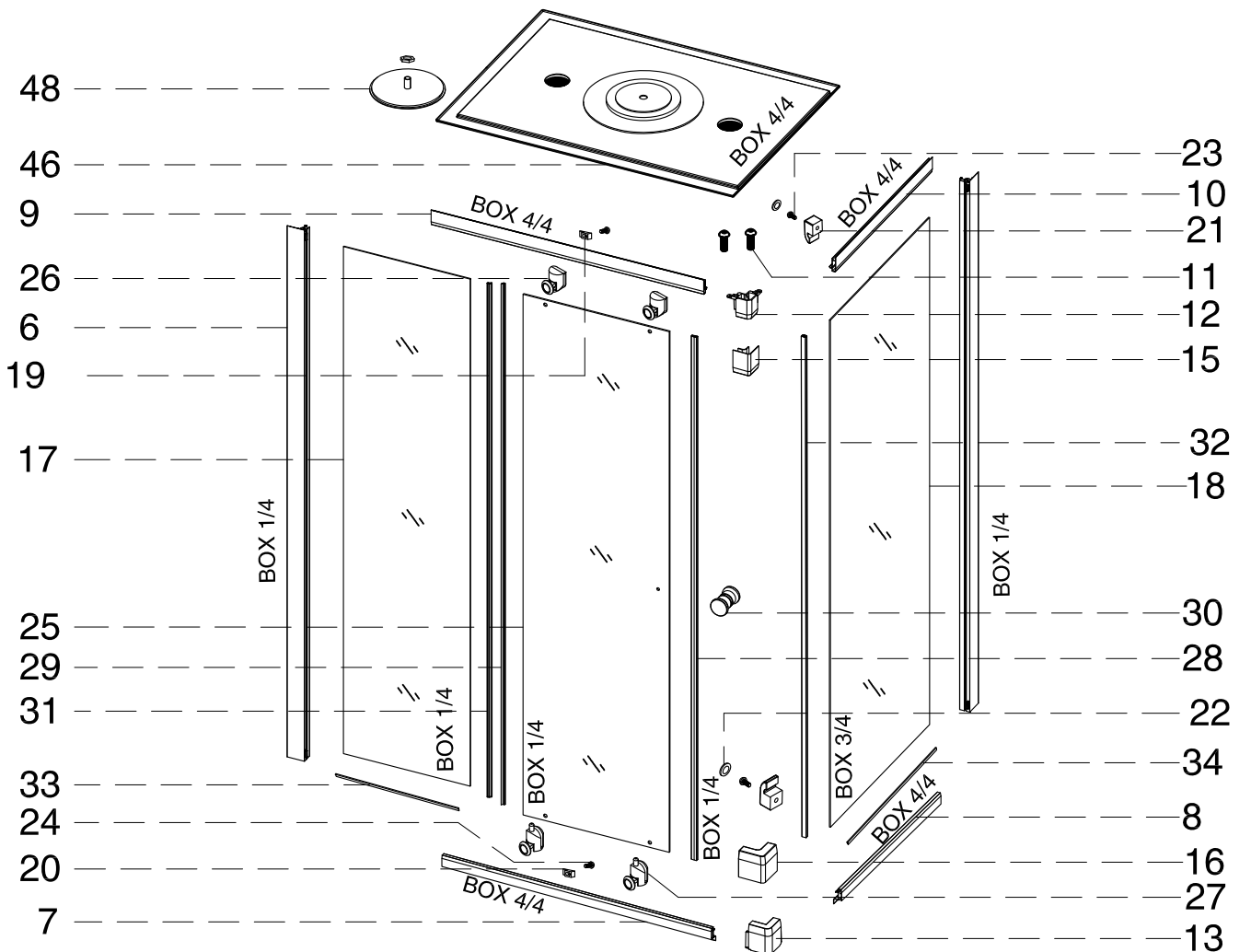
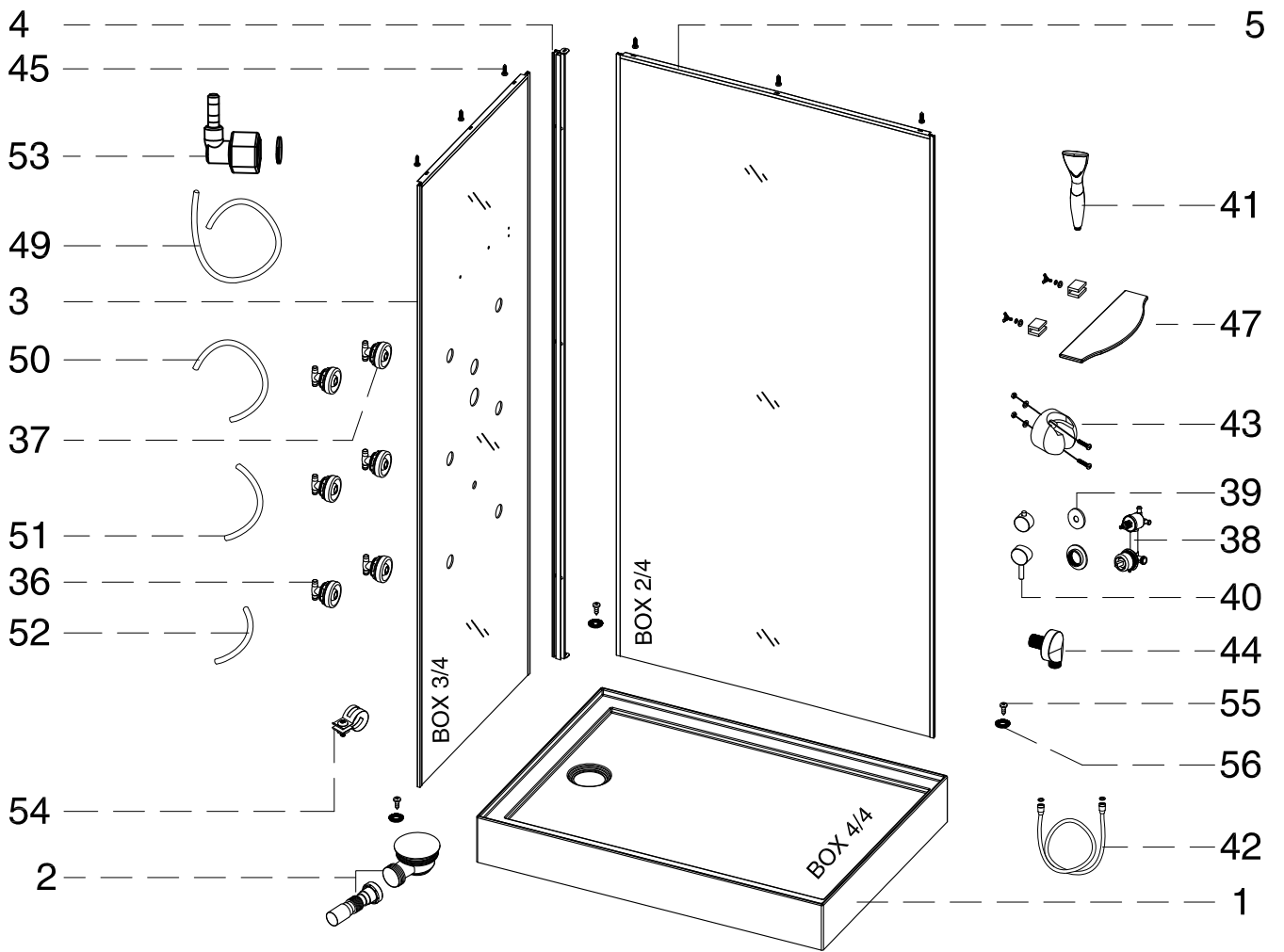
V2

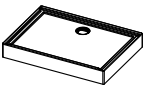






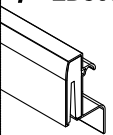
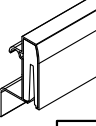
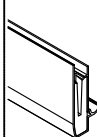
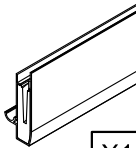



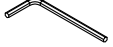
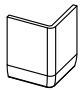


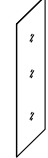
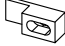
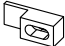
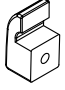



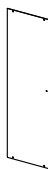


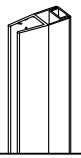


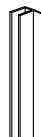

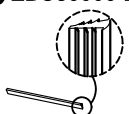
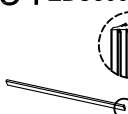

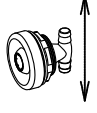

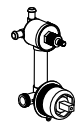






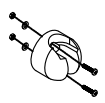


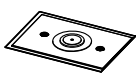

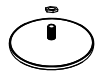








C80047

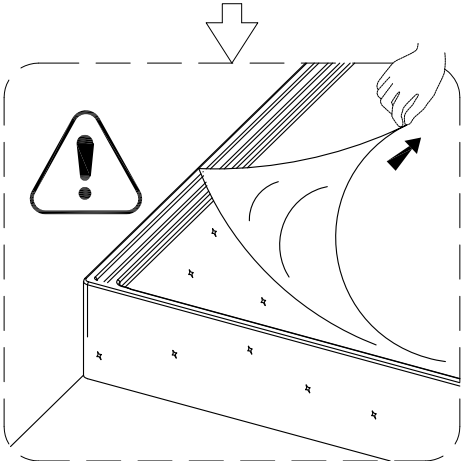
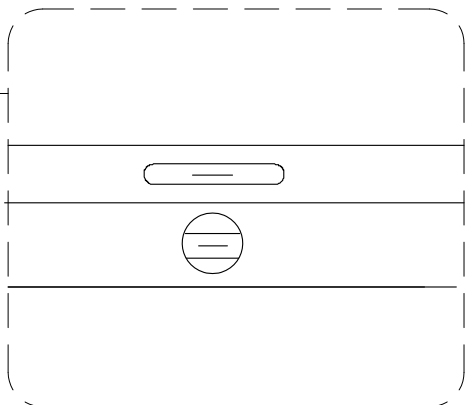
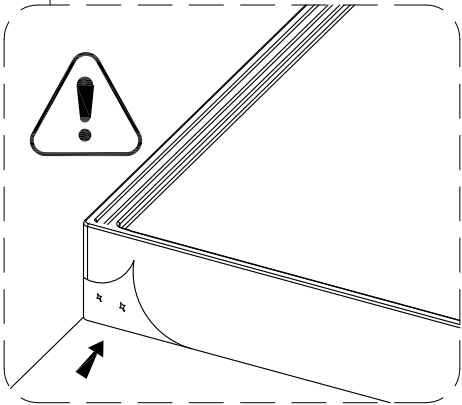
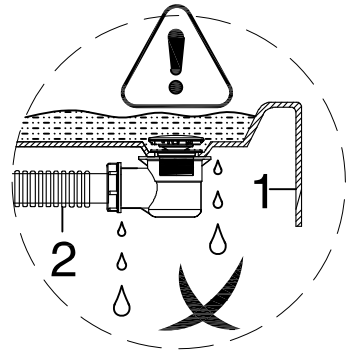
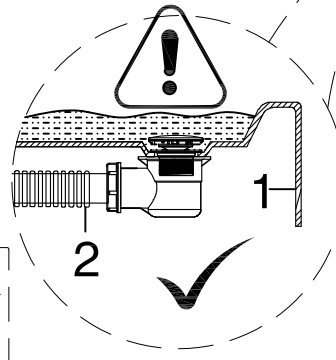
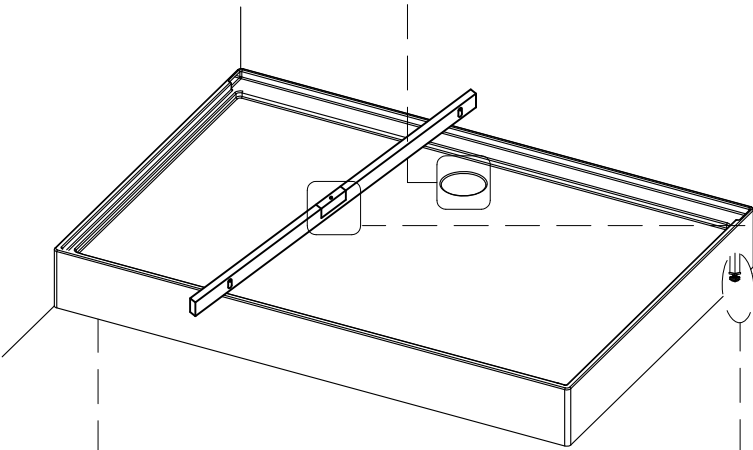
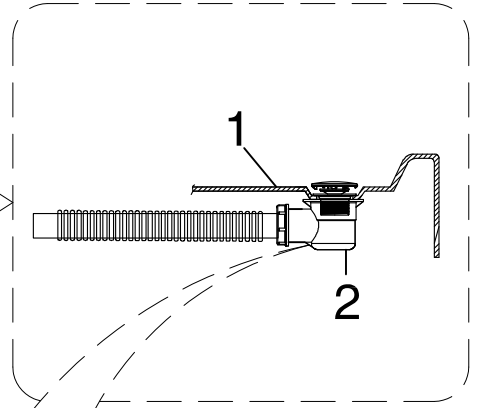
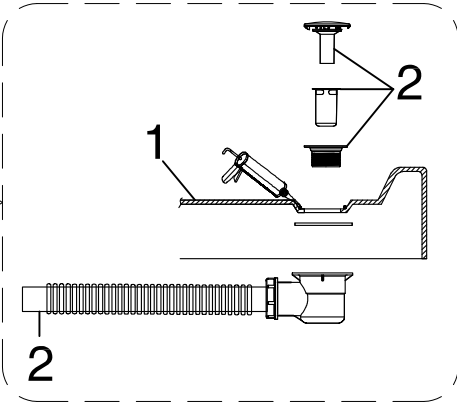
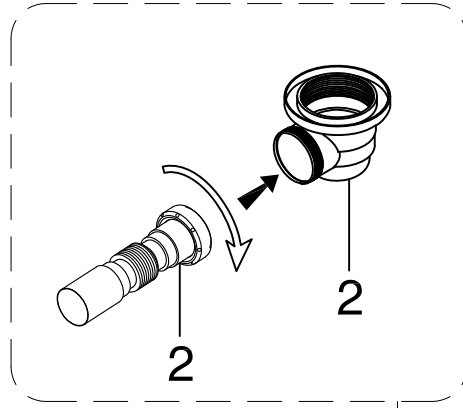
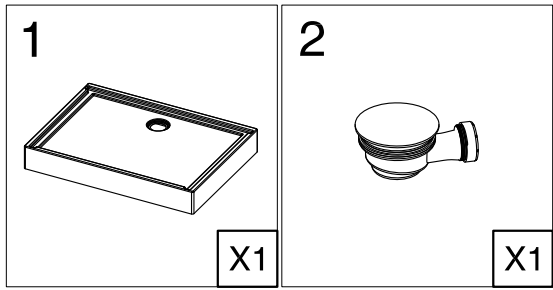
80X110X215 cm



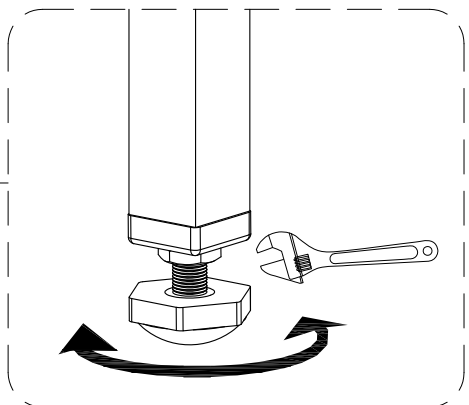
 PH1/Z2			
			
 2h		 Ø2.8 mm	
			
			

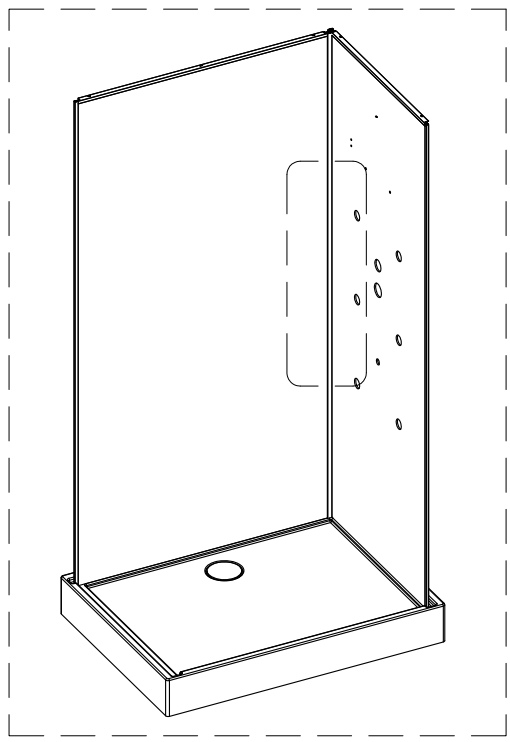
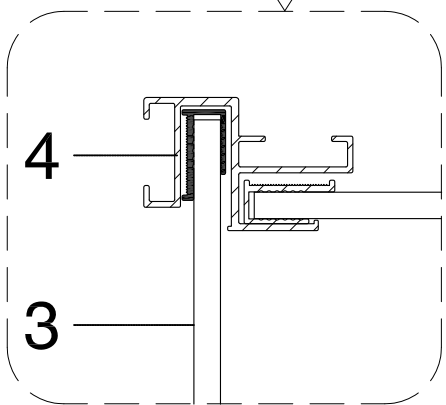
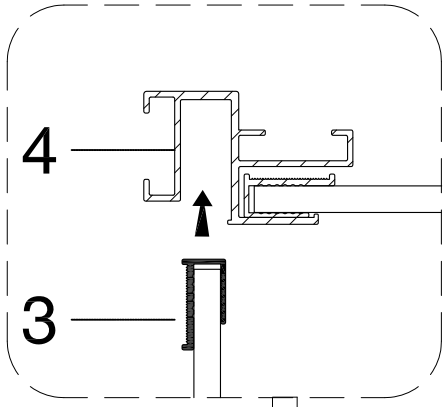
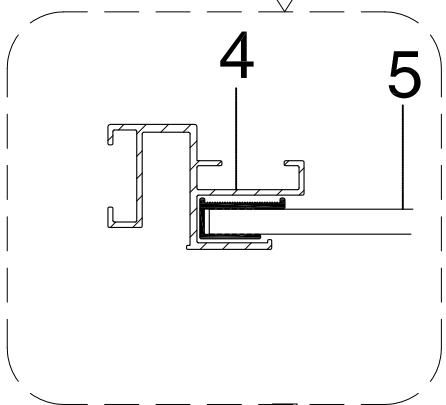
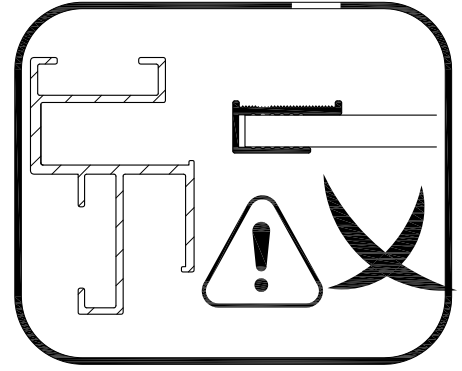
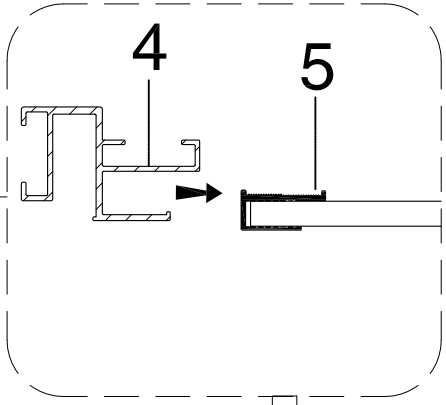
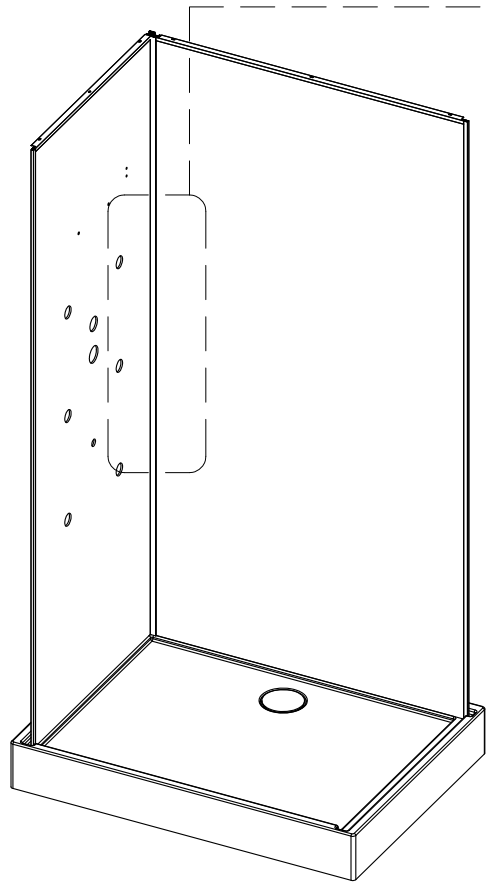
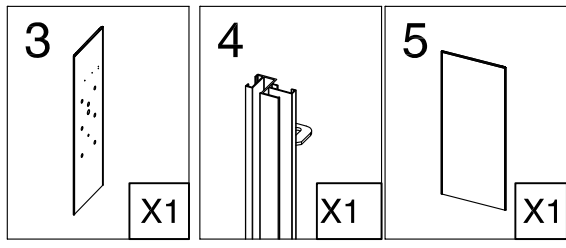


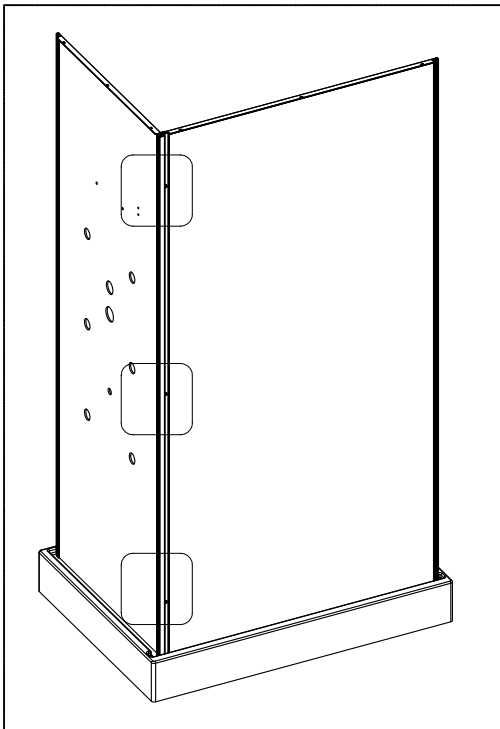
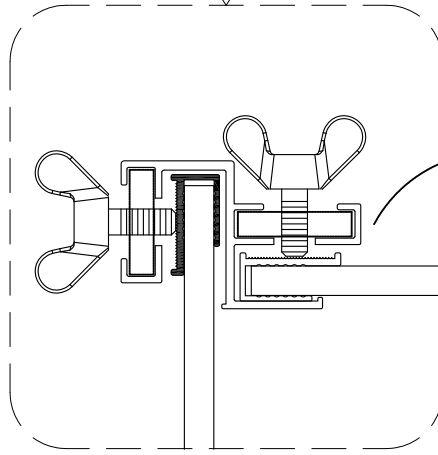
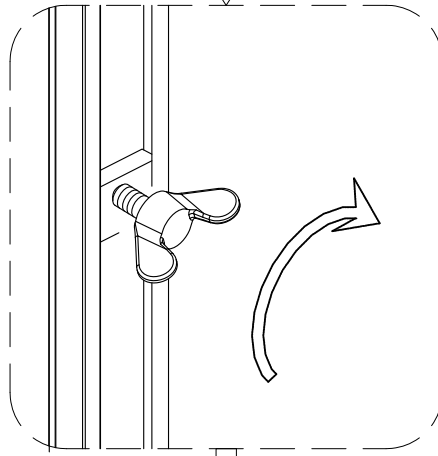
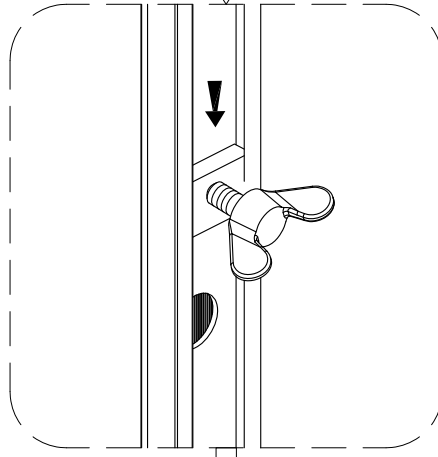
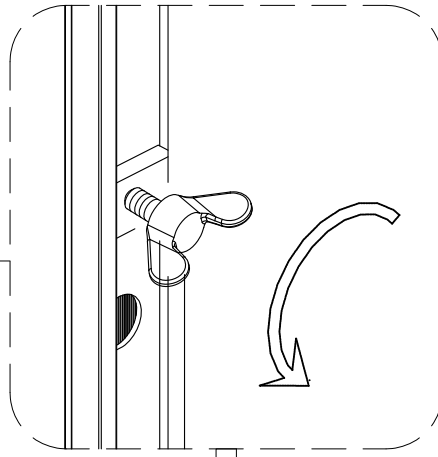
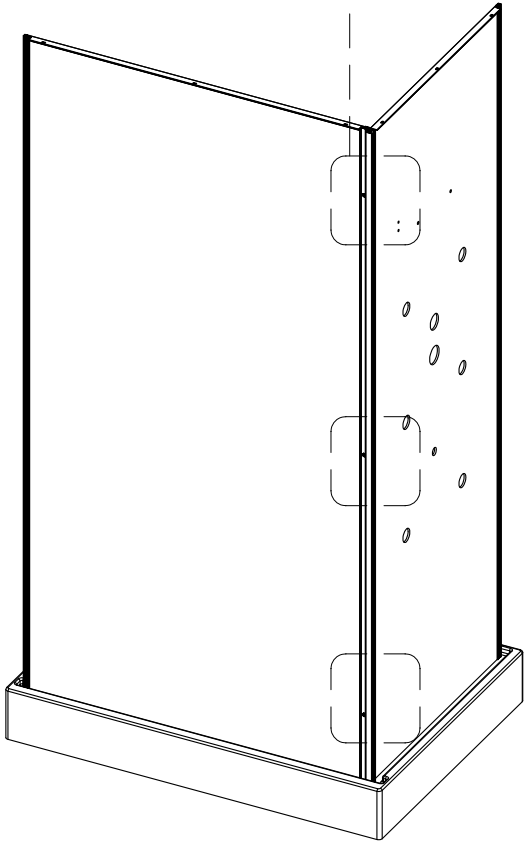
1 ZBC80047-01  X1	2 ZBC80000-02  X1	3 ZBC80000-03  X1	4 ZBC80047-04  X1	5 ZBC80047-05  X1	6 ZBC80000-06.1  X1 ZBC80000-06  X1	7 ZBC80047-07  X1
8 ZBC80047-07  X1	9 ZBC80047-08  X1	10 ZBC80047-08  X1	11 ZBC80047-08  M5X12 X2	12 ZBC80047-08  X1	13 ZBC80047-07  X1	14 ZBC80047-08  3 mm X1
15 ZBC80047-08  X1	16 ZBC80047-07  X1	17 ZBC80047-10  X1	18 ZBC80047-09  X1	19 ZBC80043-10  5 mm X1	20 ZBC80047-11  6 mm X1	21 ZBC80047-13  X2
22 ZBC80047-13  X2	23 ZBC80047-13  ST3.9X19 X2	24 ZBC80047-11  ST3.9X13 X2	25 ZBC80047-14  X1	26 ZBC80047-15  X2	27 ZBC80047-16  X2	28 ZBC80047-17  X1
29 ZBC80000-18  X1	30 ZBC80000-22  X1	31 ZBC80000-18  X1	32 ZBC80047-17  X1	33 ZBC80000-20  X1	34 ZBC80000-20  X1	35 ZBC80000-21  X1
36 ZBC80047-23  X5	37 ZBC80047-24  X1	38 ZBC80047-25  X1	39 ZBC80047-26   X1	40 ZBC80047-27   X1	41 ZBC80000-28  X1	42 ZBC80000-29  X1
43 ZBC80047-30  X1	44 ZBC80047-31  X1	45 ZBC80047-33  ST3.9X13 X6	46 ZBC80047-33  X1	47 ZBC80000-35  X1	48 ZBC80000-34  X1	49 ZBC80000-36  X1
50 ZBC80000-36  X2	51 ZBC80000-36  X4	52 ZBC80000-36  X1	53 ZBC80047-37  X2	54 ZBC80047-38  X16	55 ZBC80000-39  ST3.9X16 X3	56 ZBC80000-39  X3

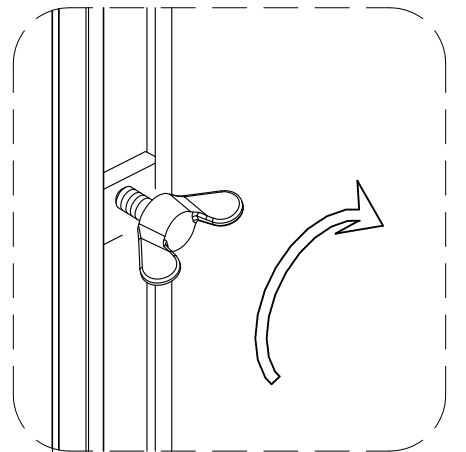
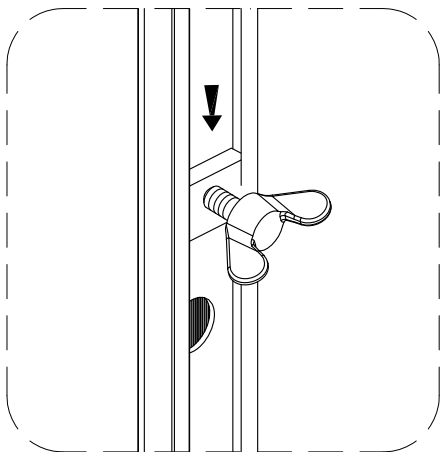
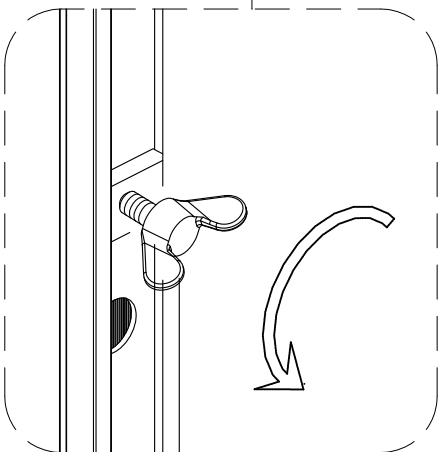
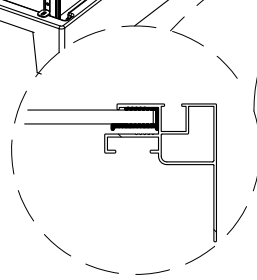
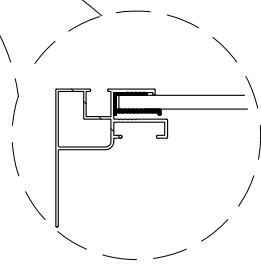
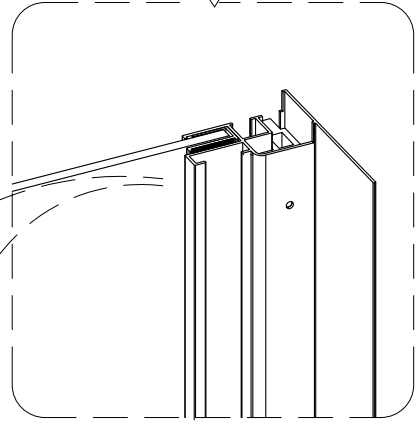
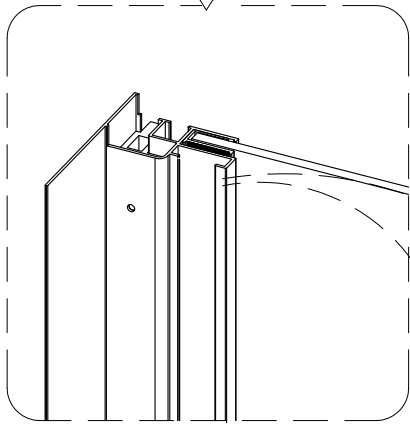
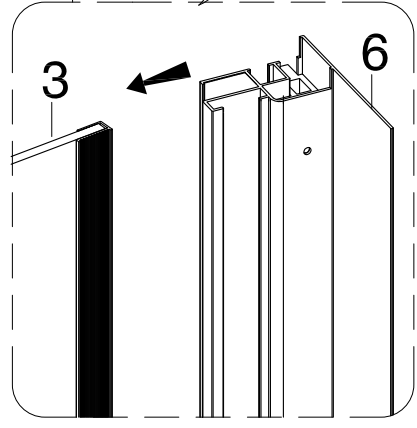
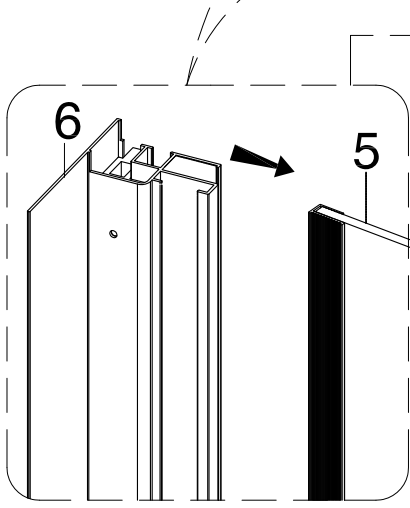
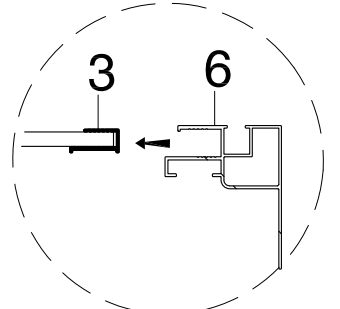
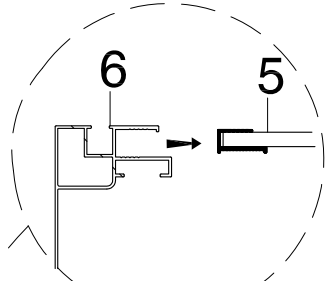
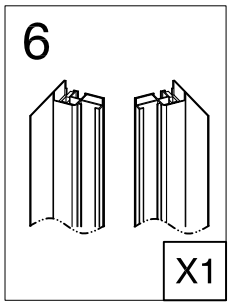


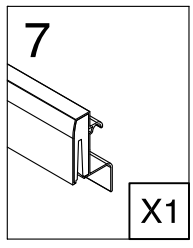
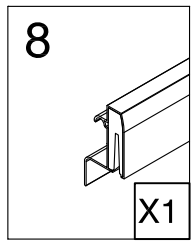
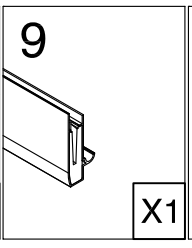
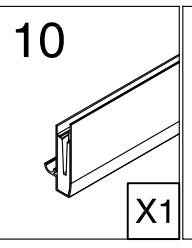
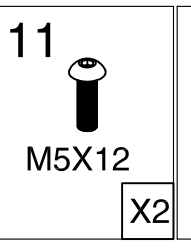
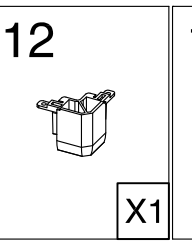
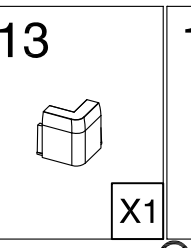
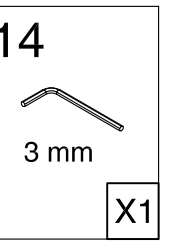
3

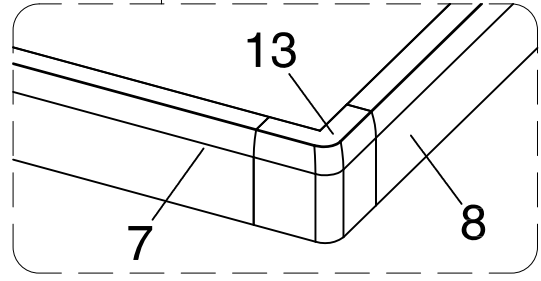
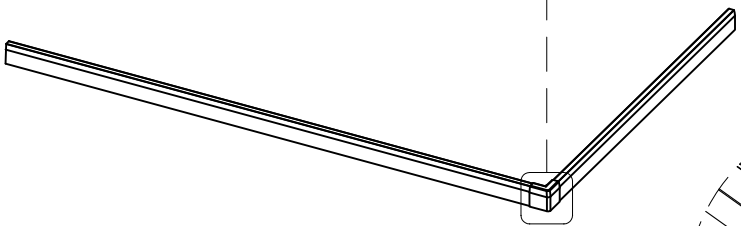
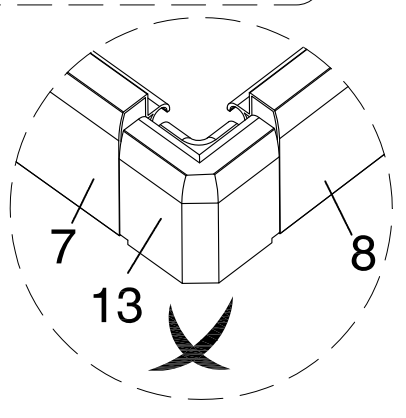
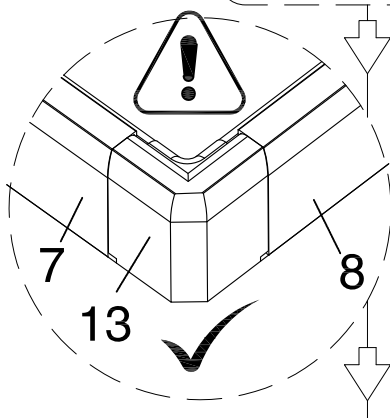
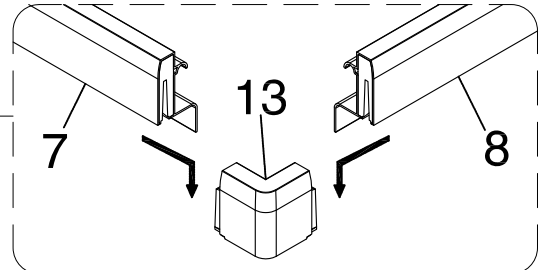
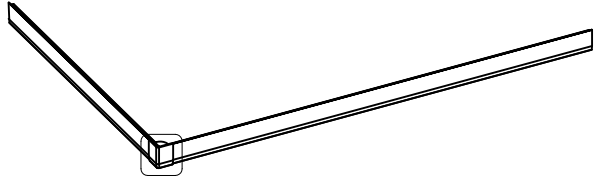
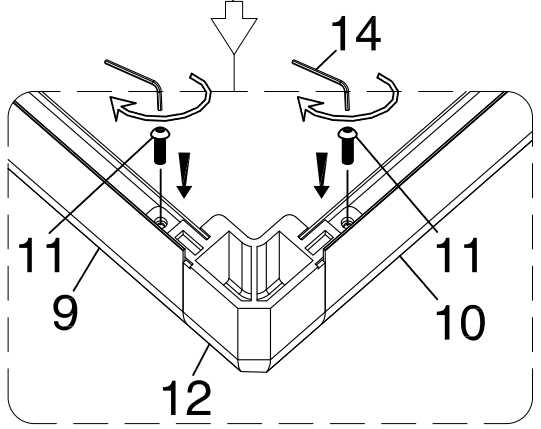
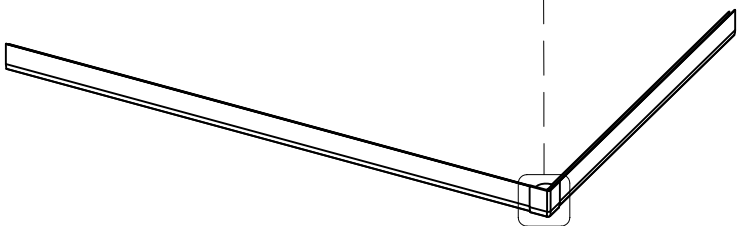
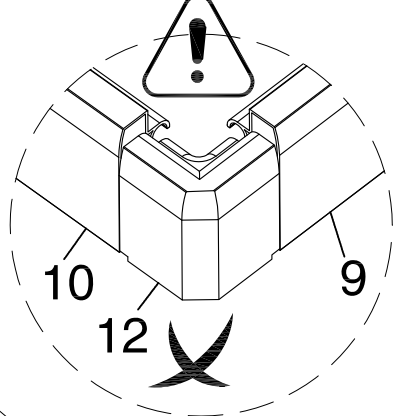
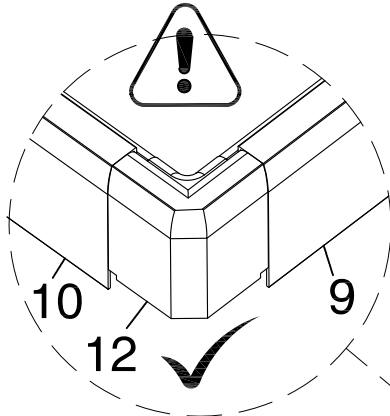
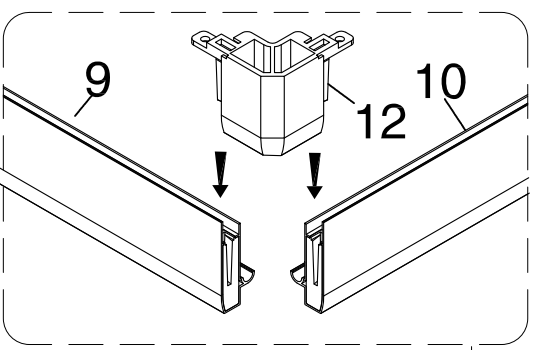


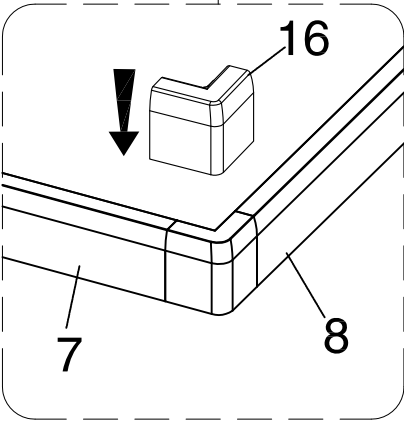
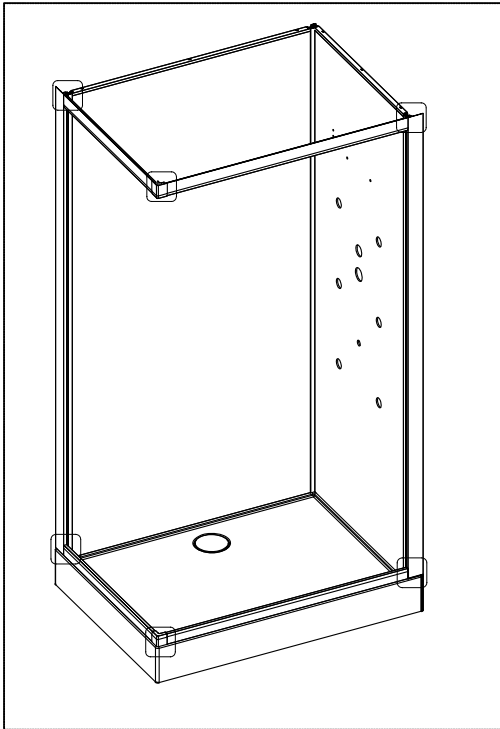
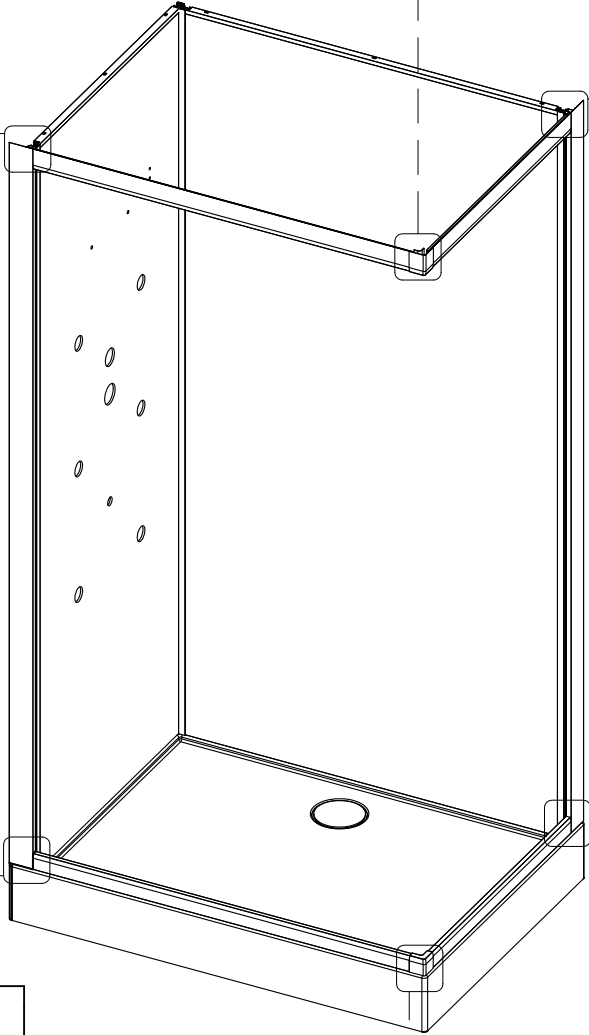
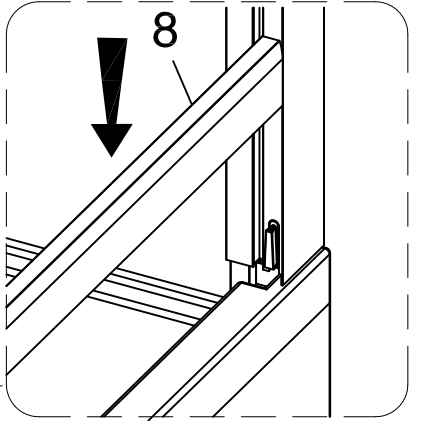
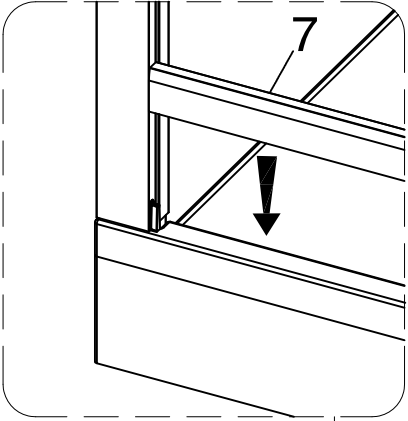
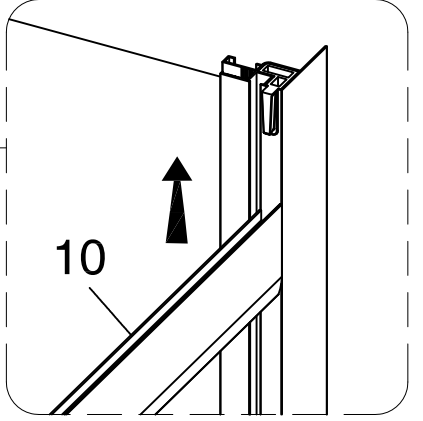
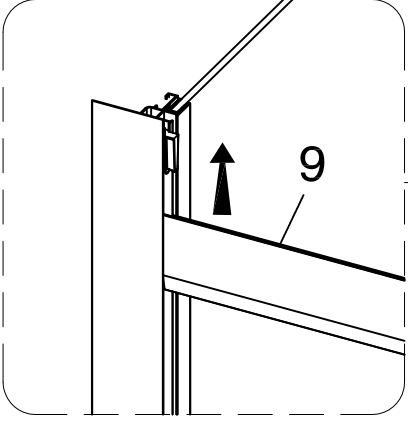
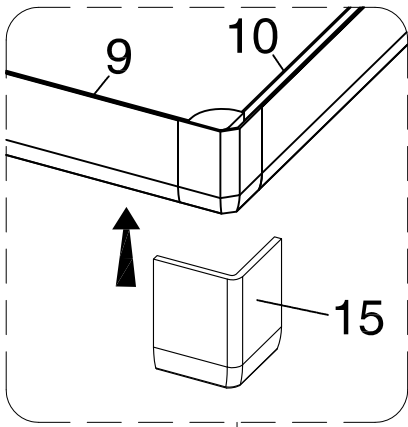
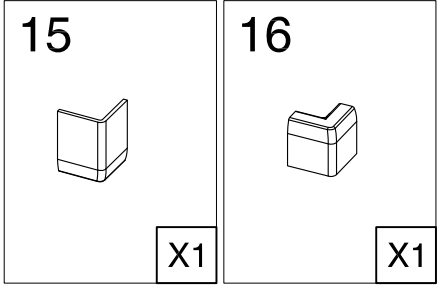


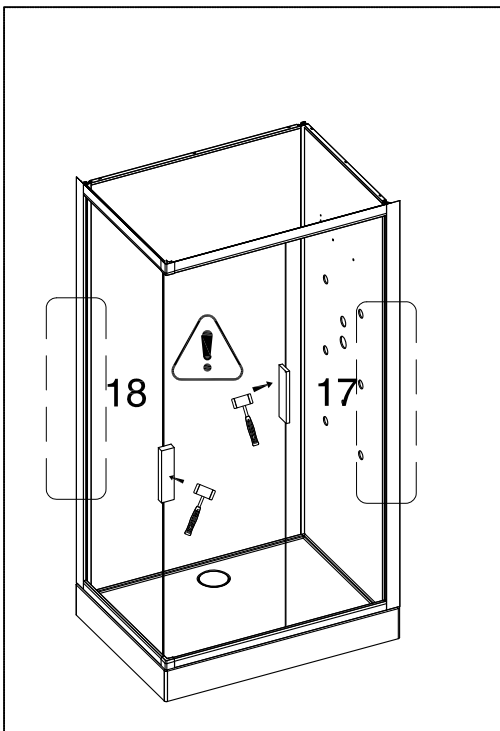
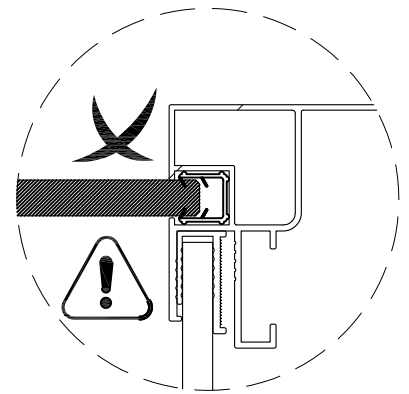
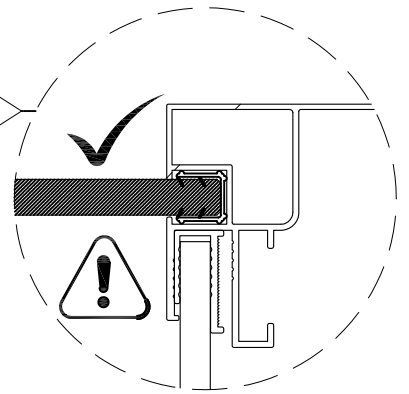
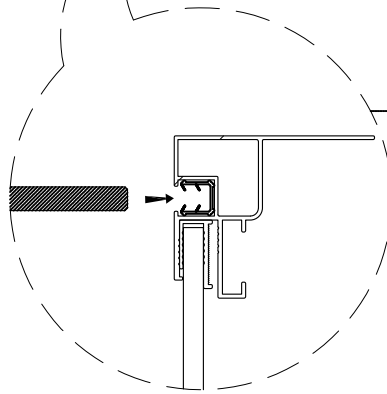
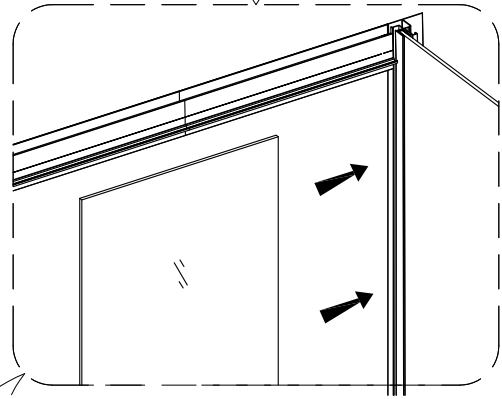
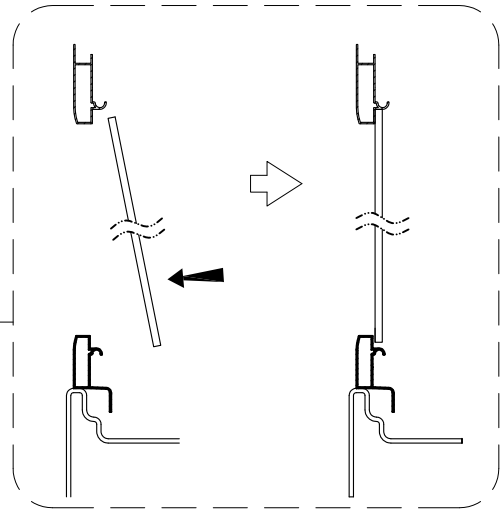
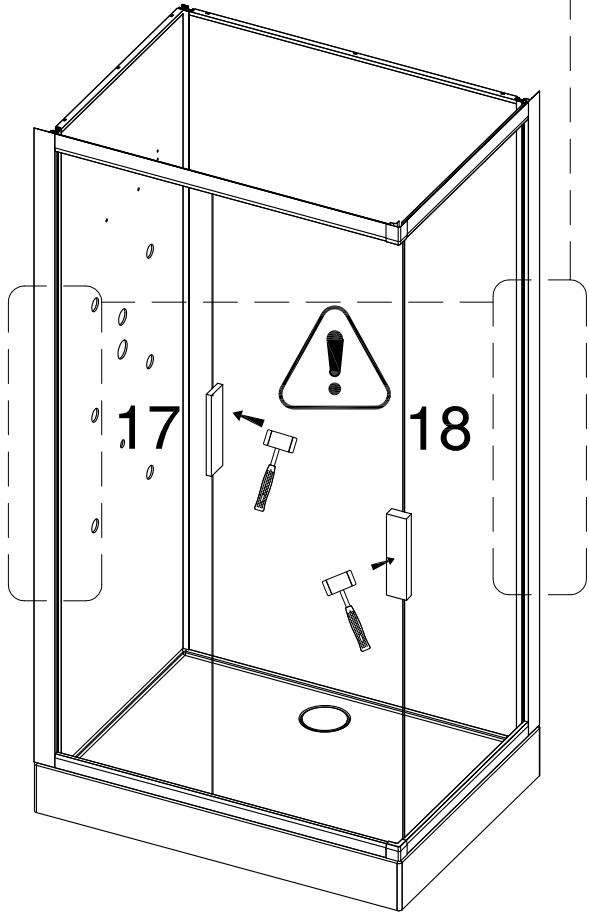
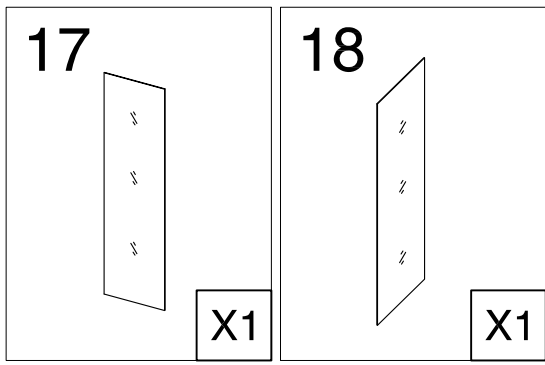



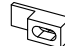
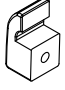





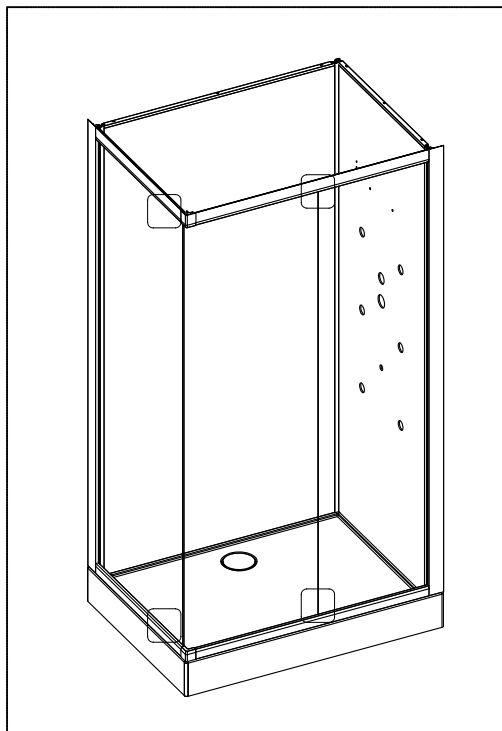
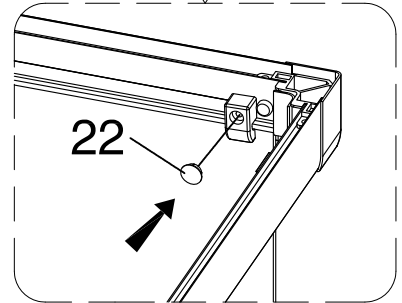
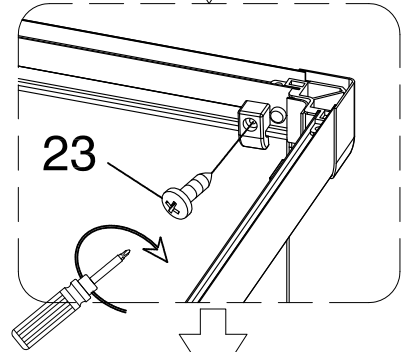
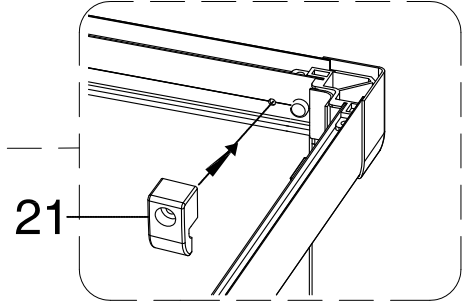
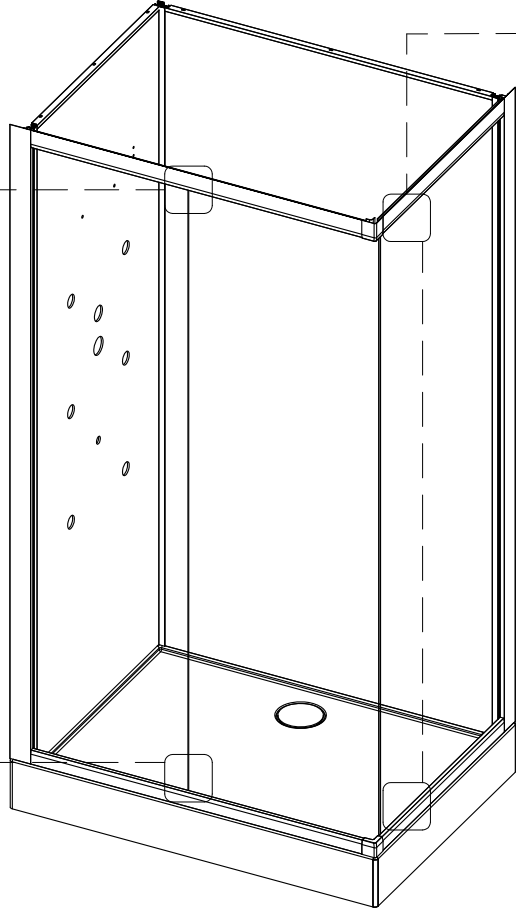
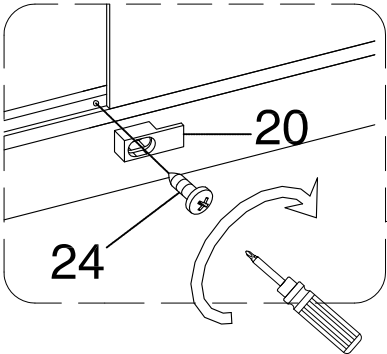
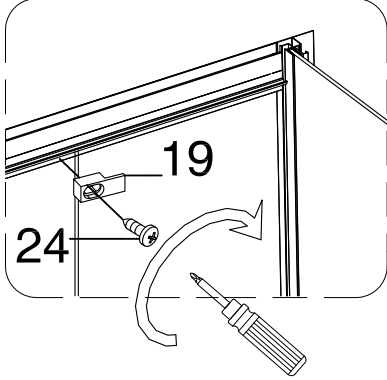
7  X1	8  X1	9  X1	10  X1	11  M5X12 X2	12  X1	13  X1	14  3 mm X1
--	---	---	--	---	---	--	--

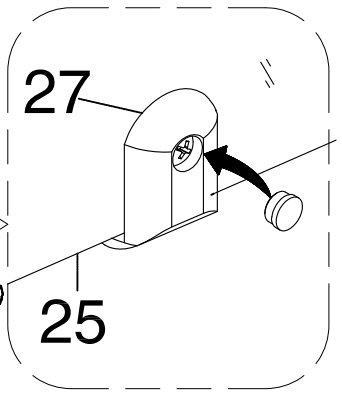
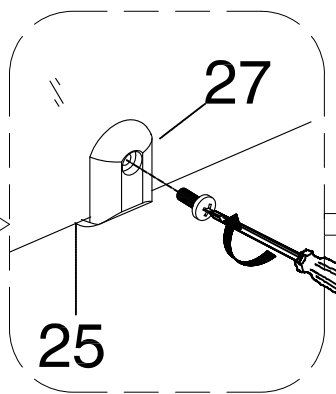
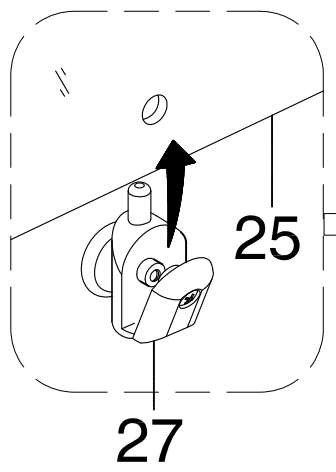
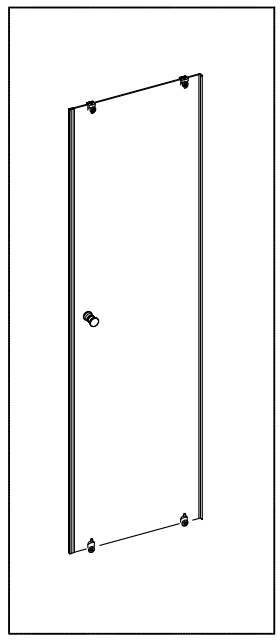
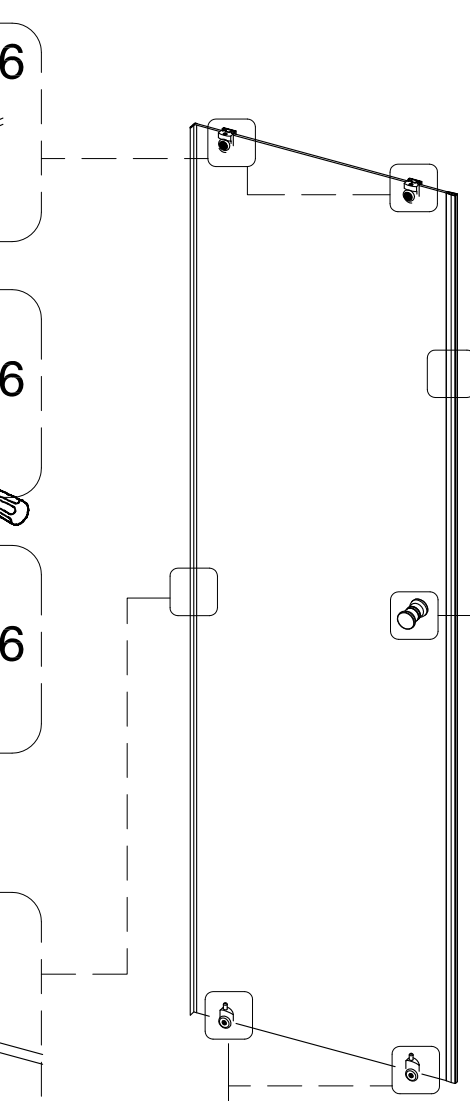
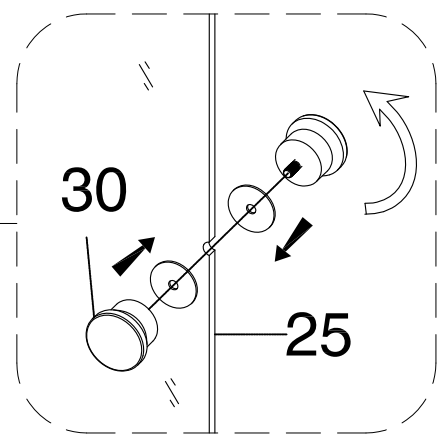
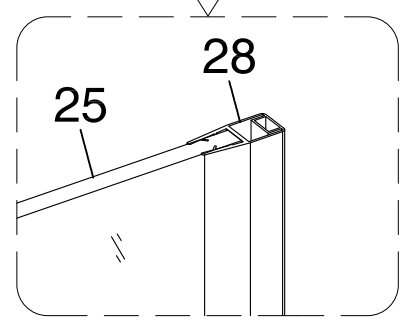
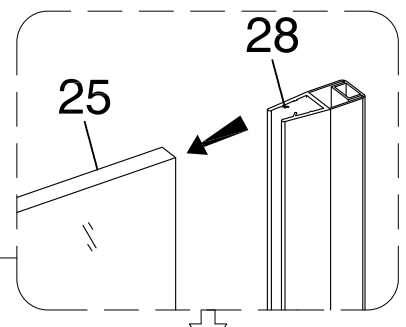
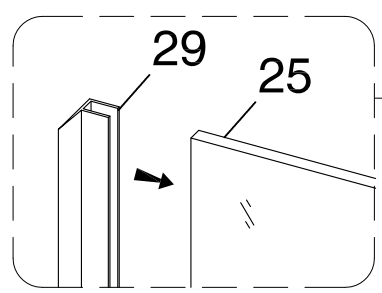
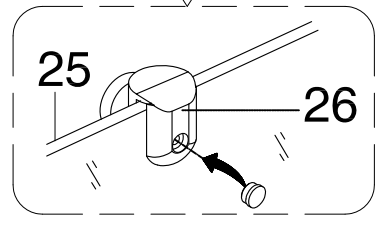
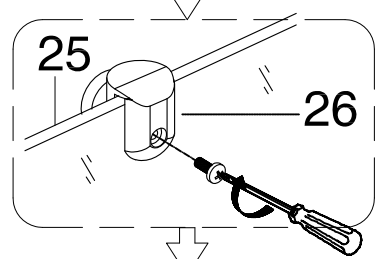
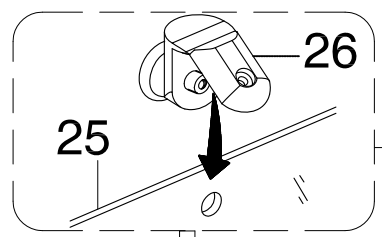
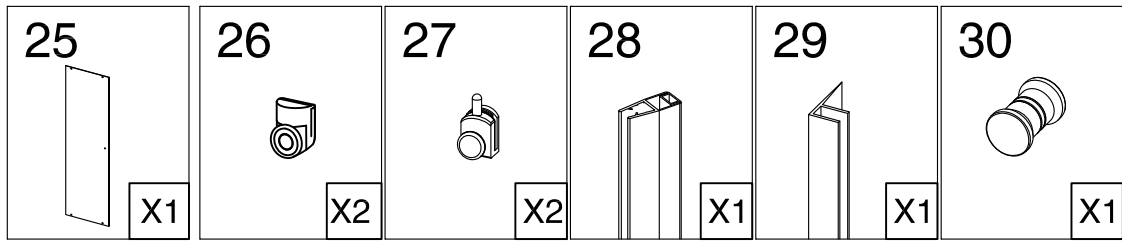


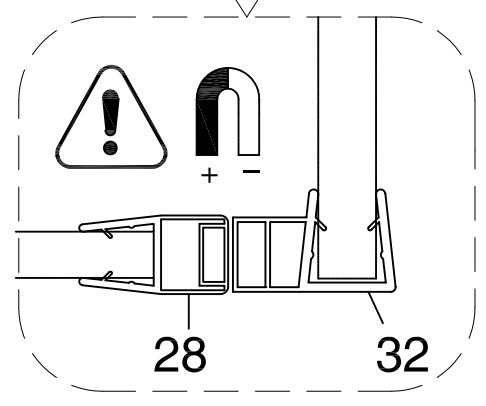
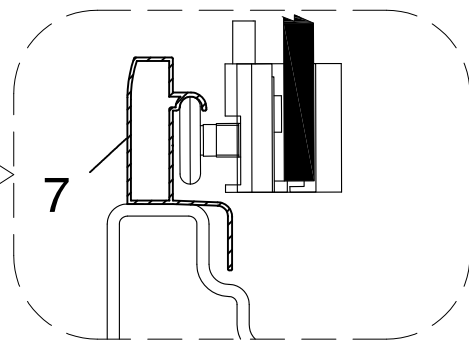
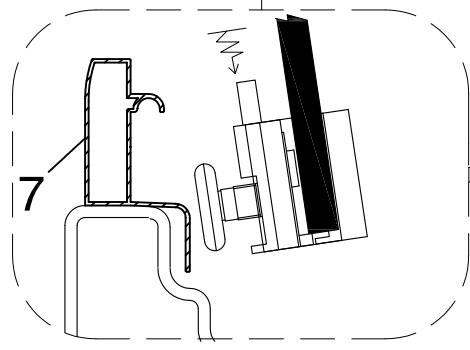
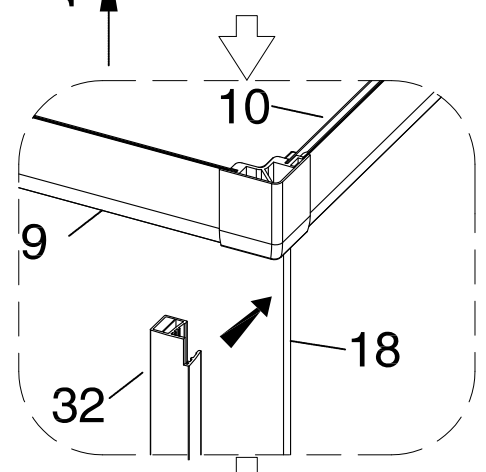
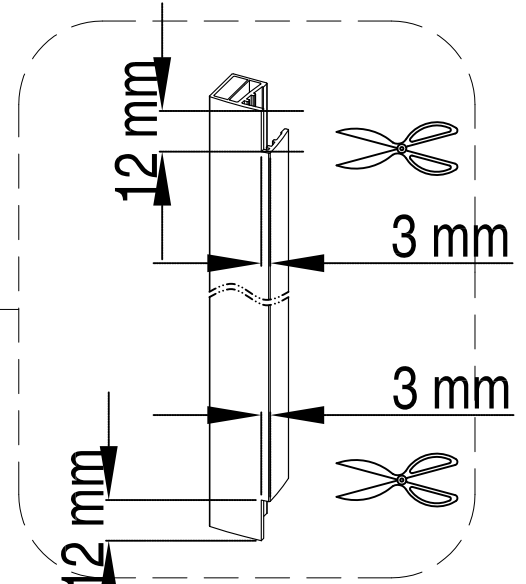
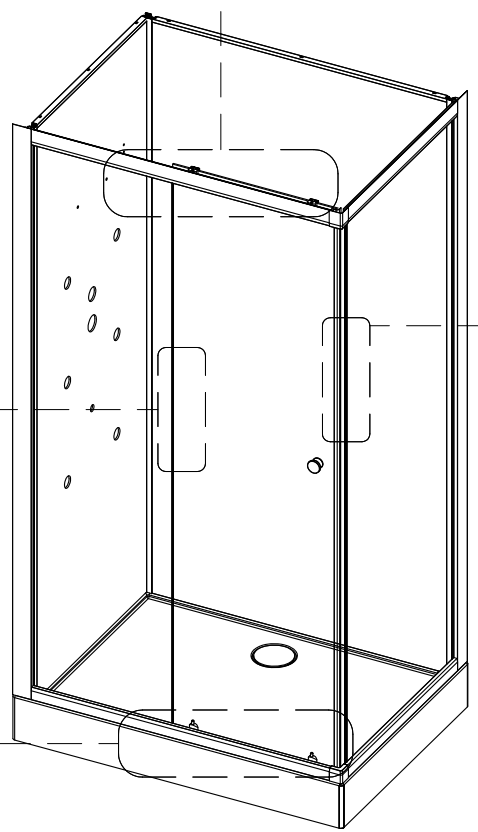
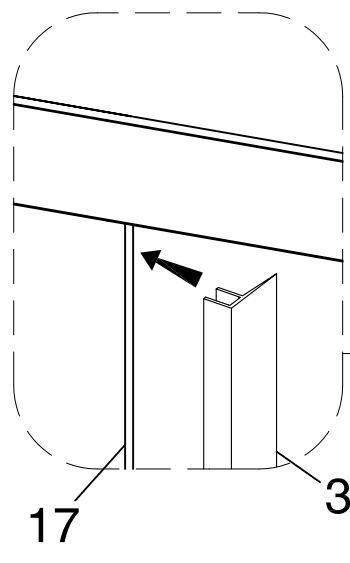
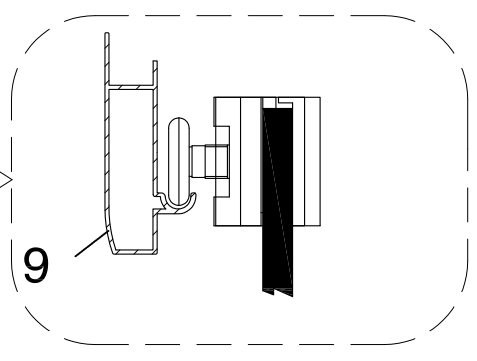
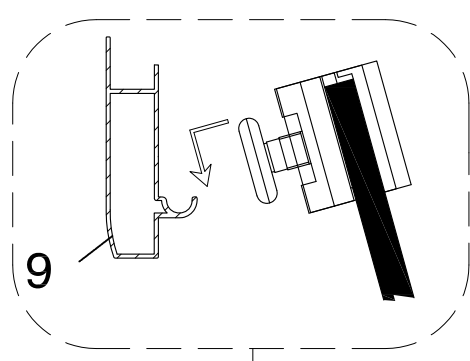
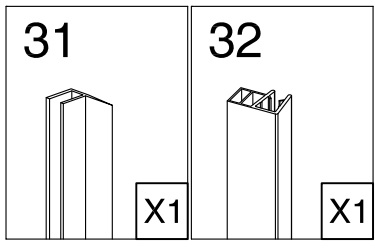


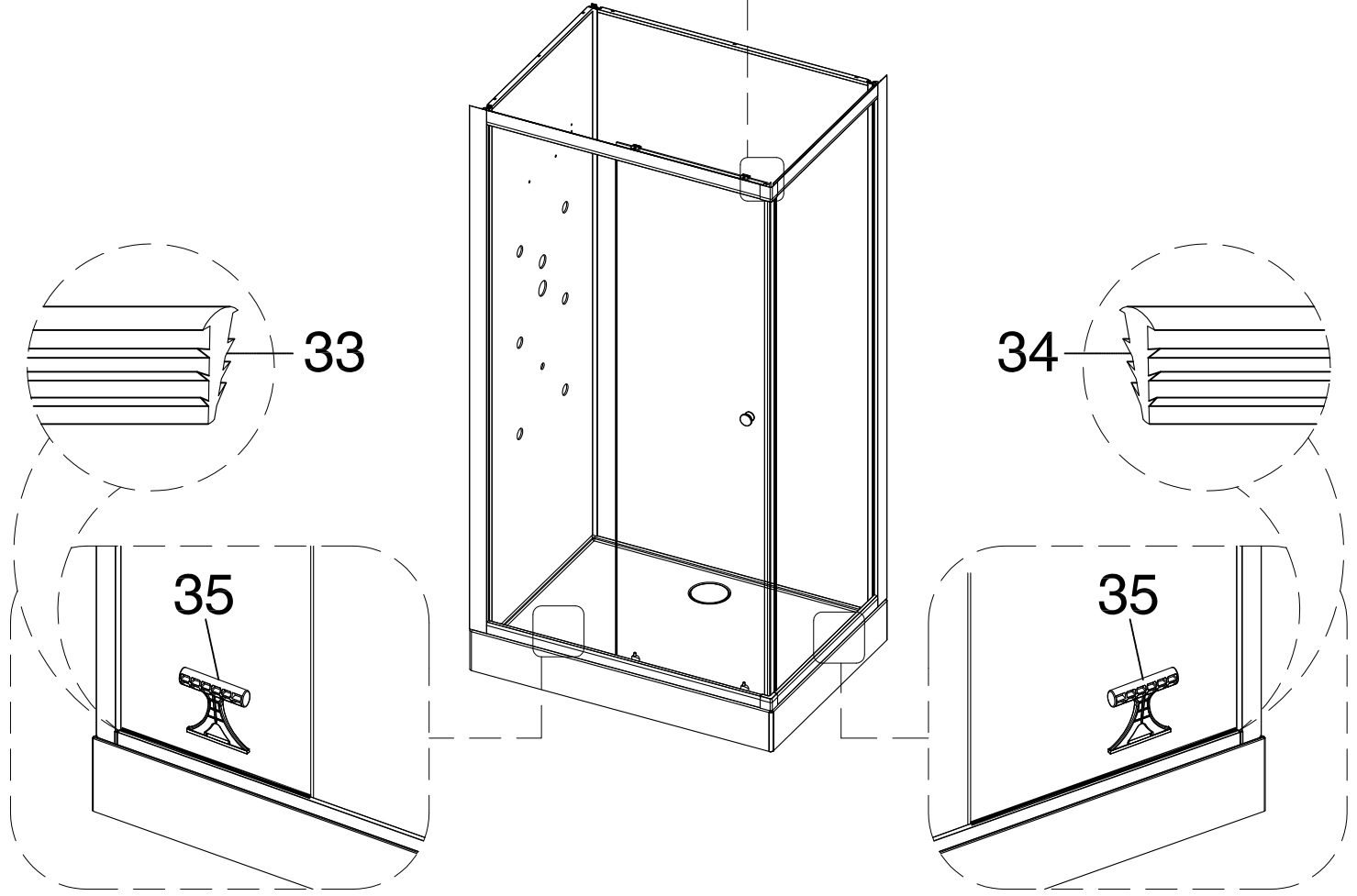
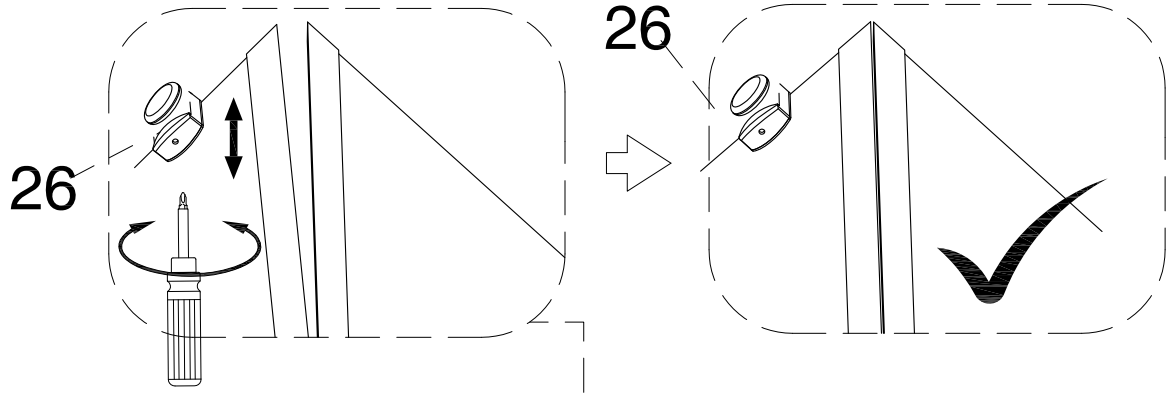
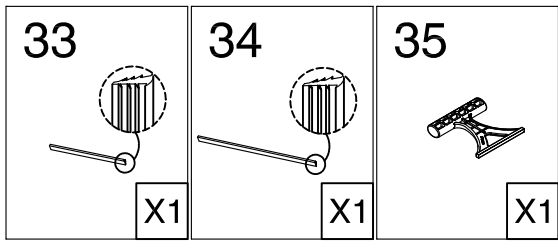


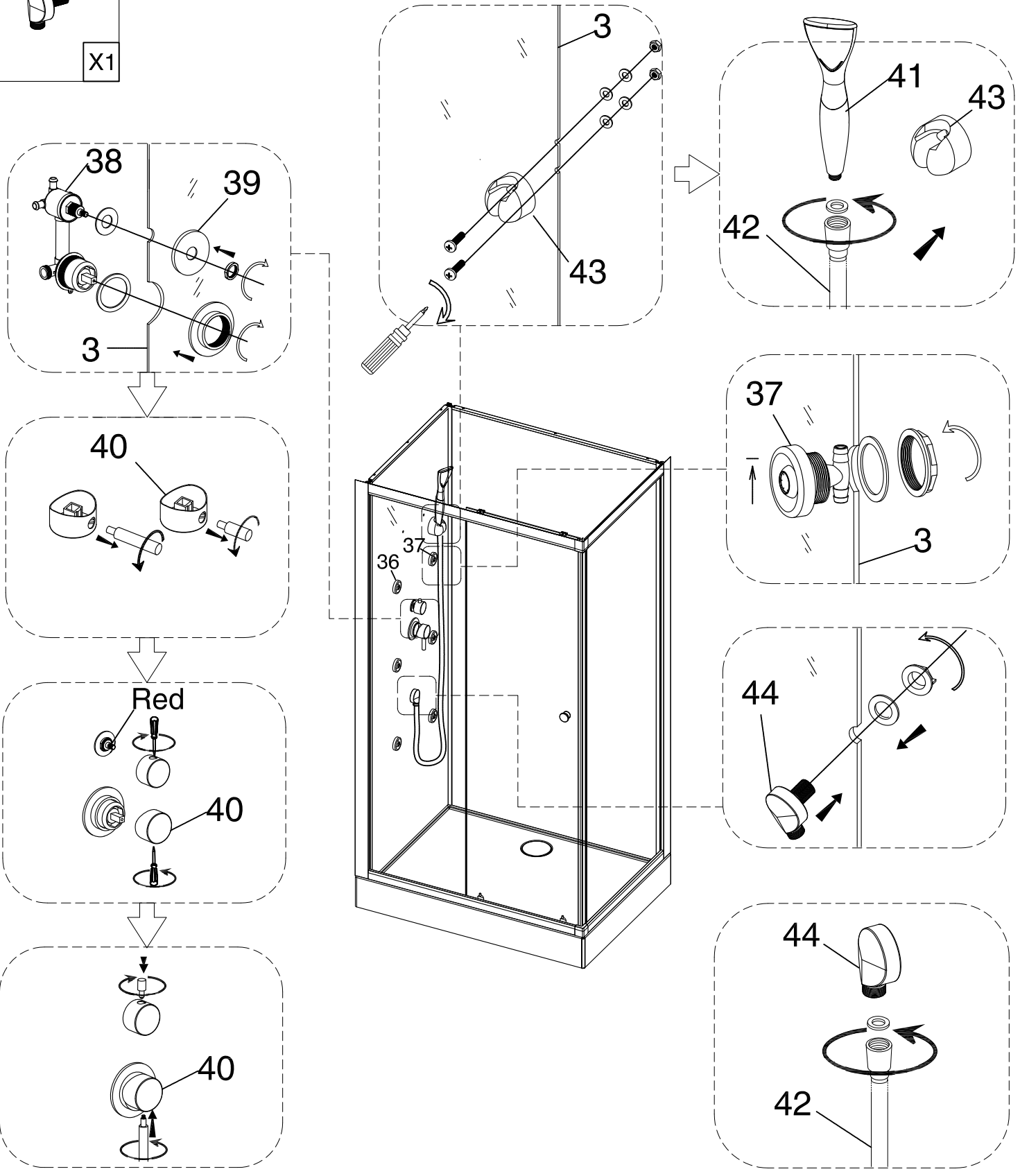
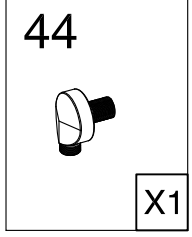
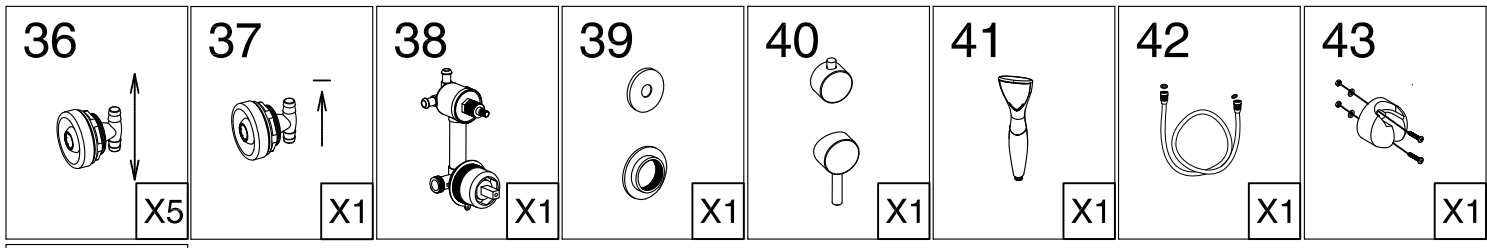
<p>19</p>  <p>5 mm</p> <p>X1</p>	<p>20</p>  <p>6 mm</p> <p>X1</p>	<p>21</p>  <p>X2</p>	<p>22</p>  <p>X2</p>	<p>23</p>  <p>ST3.9X19</p> <p>X2</p>	<p>24</p>  <p>ST3.9X13</p> <p>X2</p>
---	--	--	--	--	--


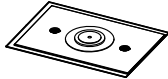
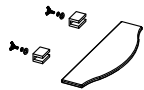
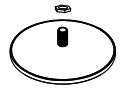


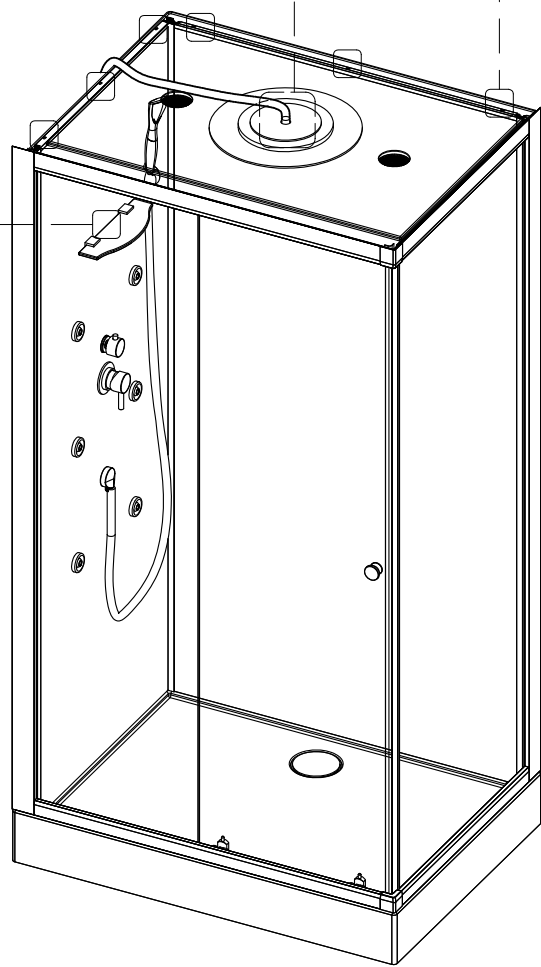
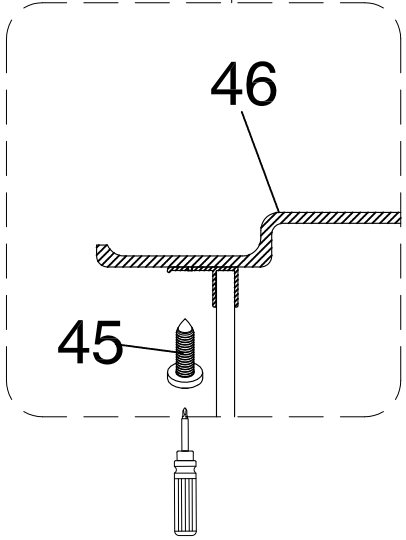
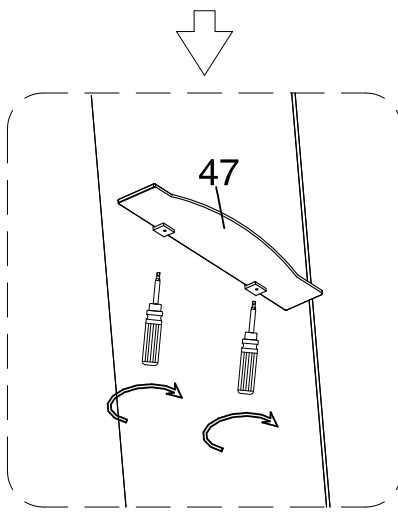
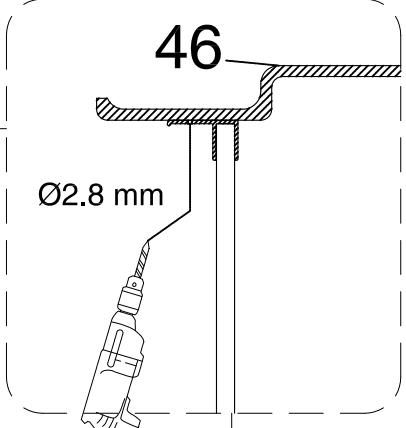
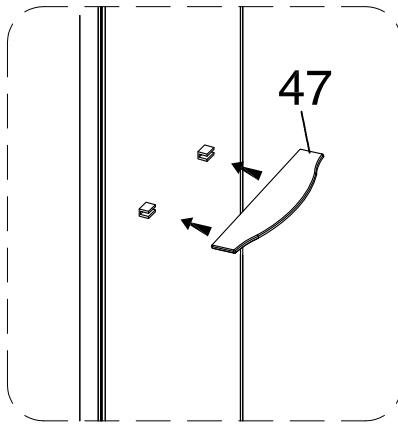
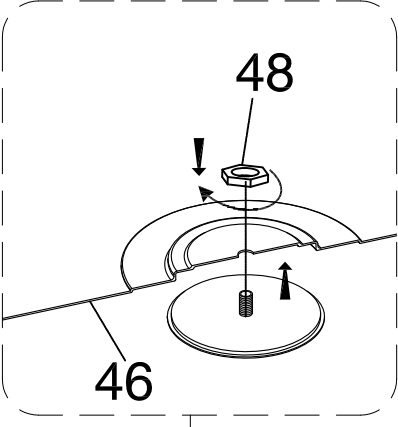
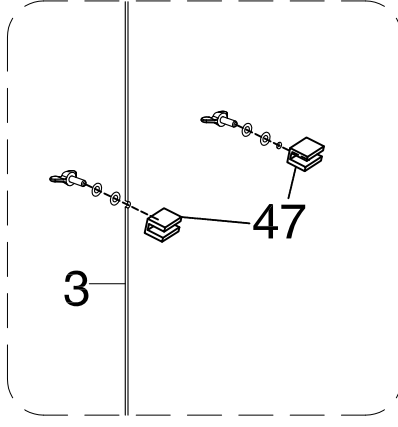




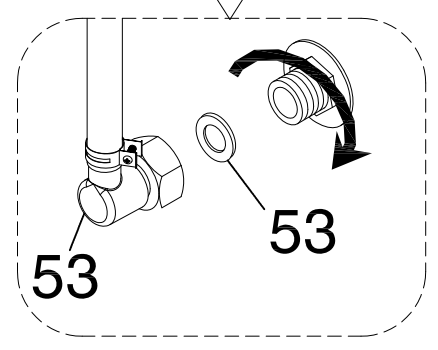
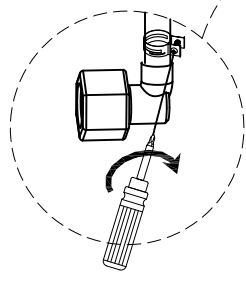
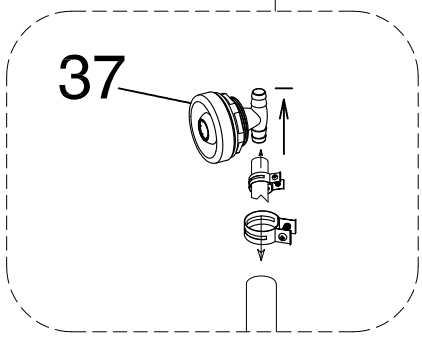
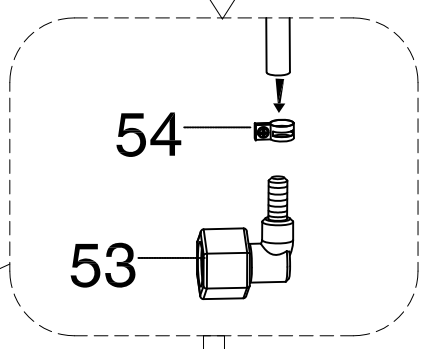
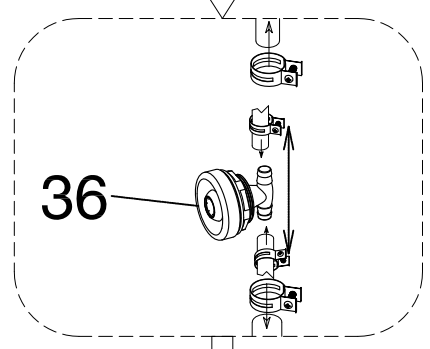
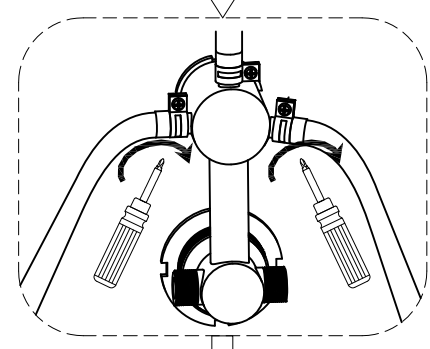
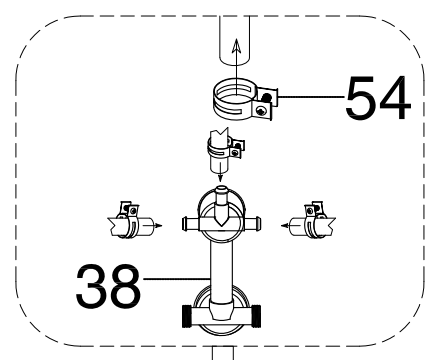
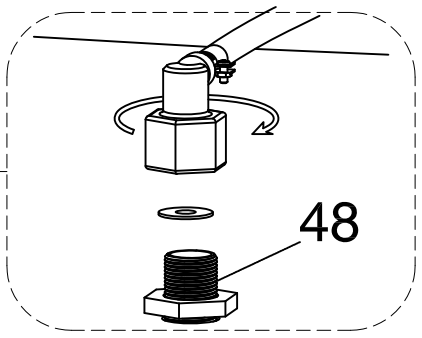
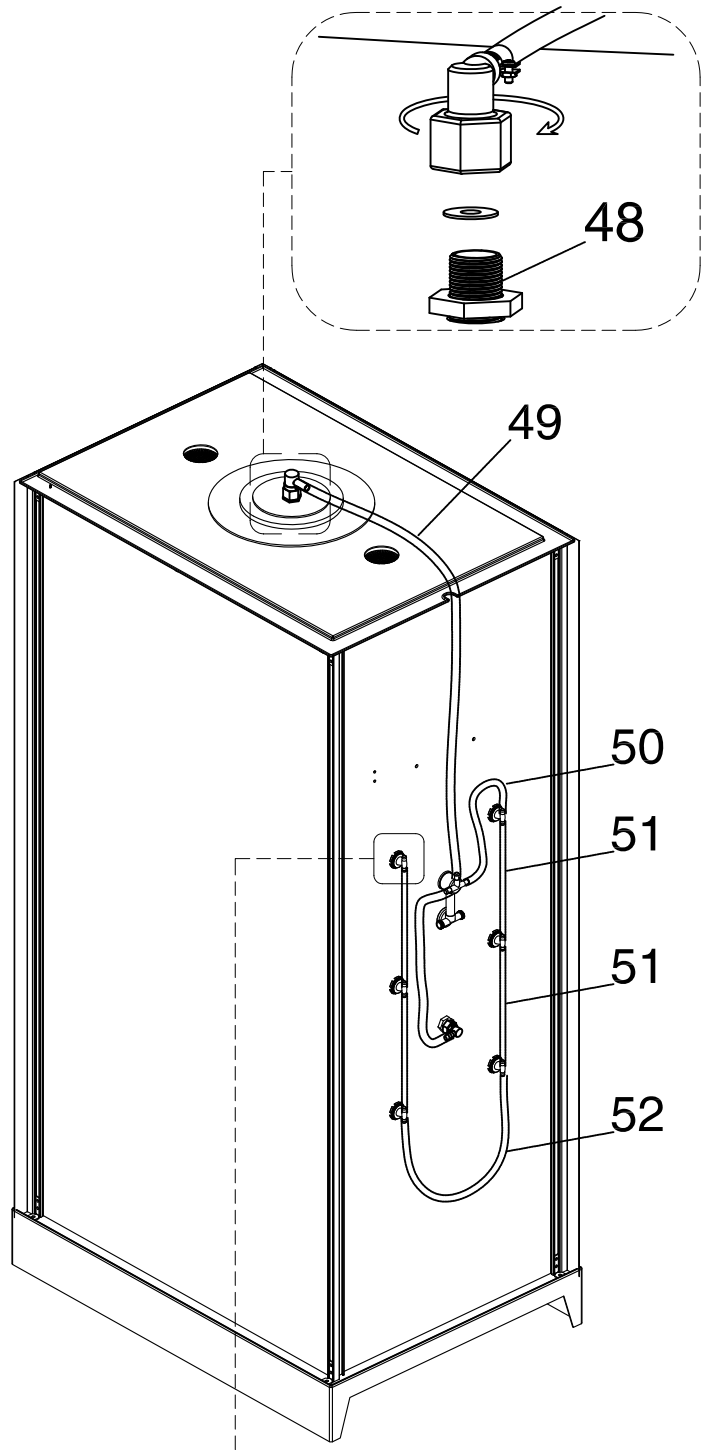






<p>45</p>  <p>ST3.9X13</p> <p>X6</p>	<p>46</p>  <p>X1</p>	<p>47</p>  <p>X1</p>	<p>48</p>  <p>X1</p>
--	---	---	---



49	50	51	52	53	54
X1	X2	X4	X1	X2	X16



<p>55</p>  <p>ST3.9X16</p> <p>X3</p>	<p>56</p>  <p>X3</p>
--	---

