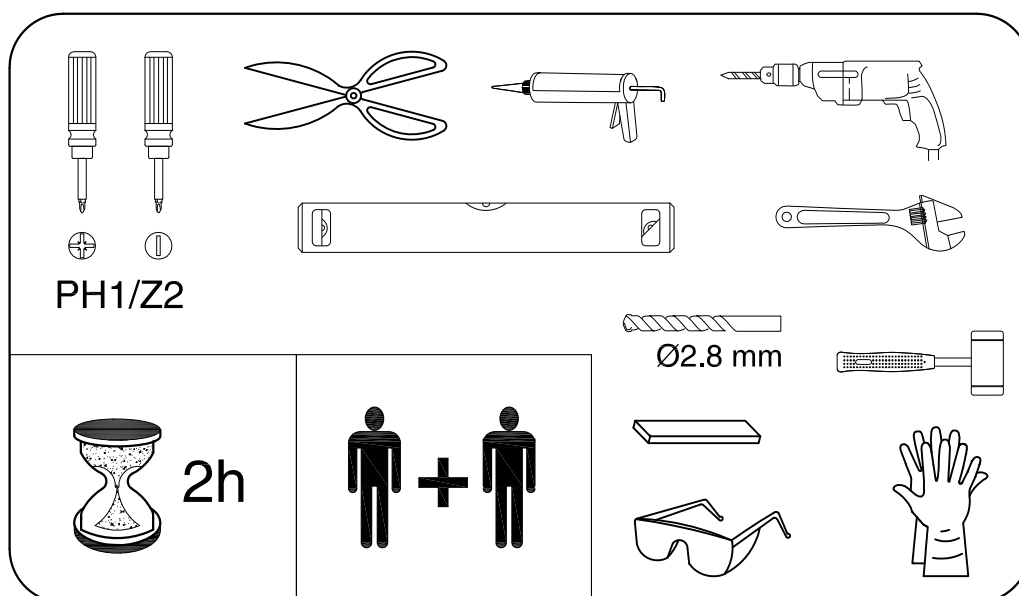
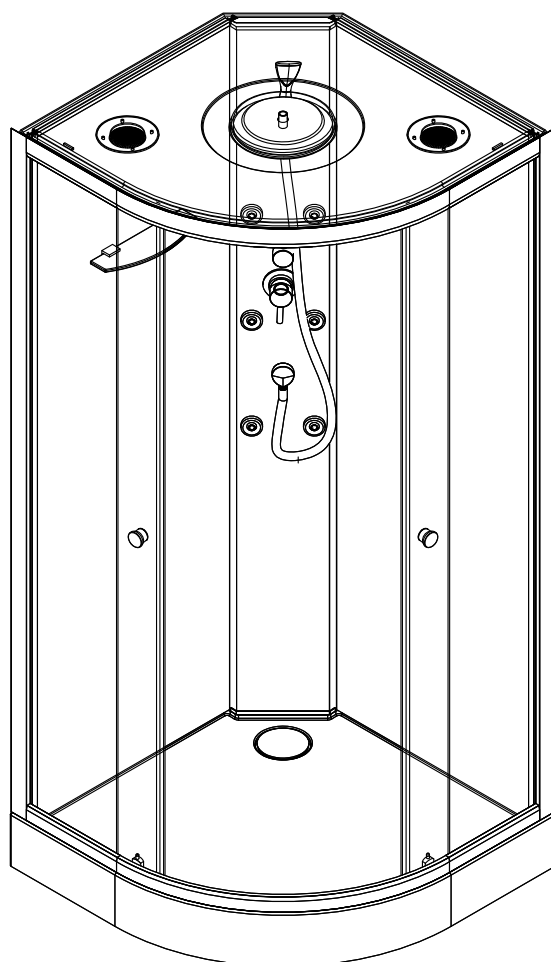
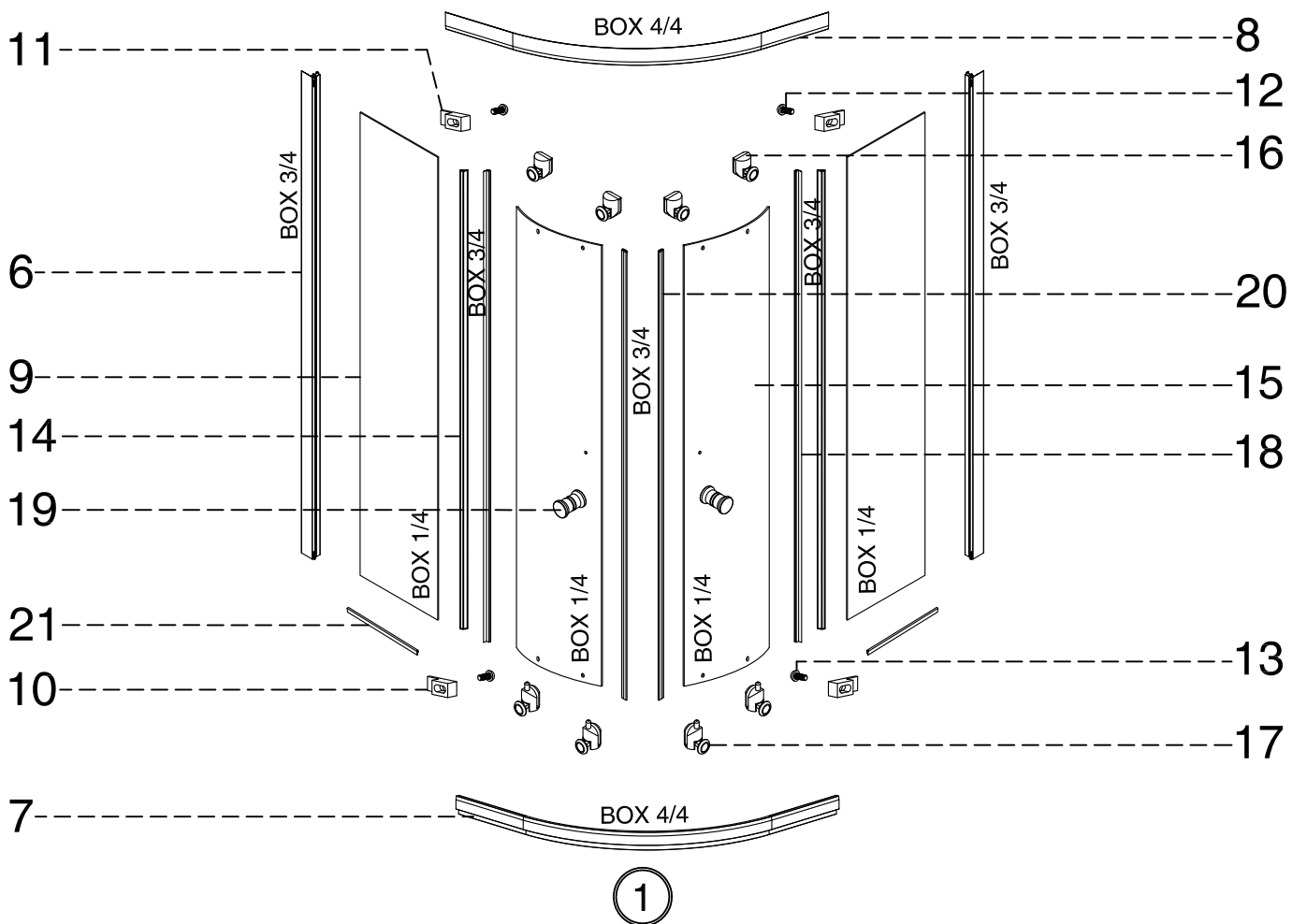
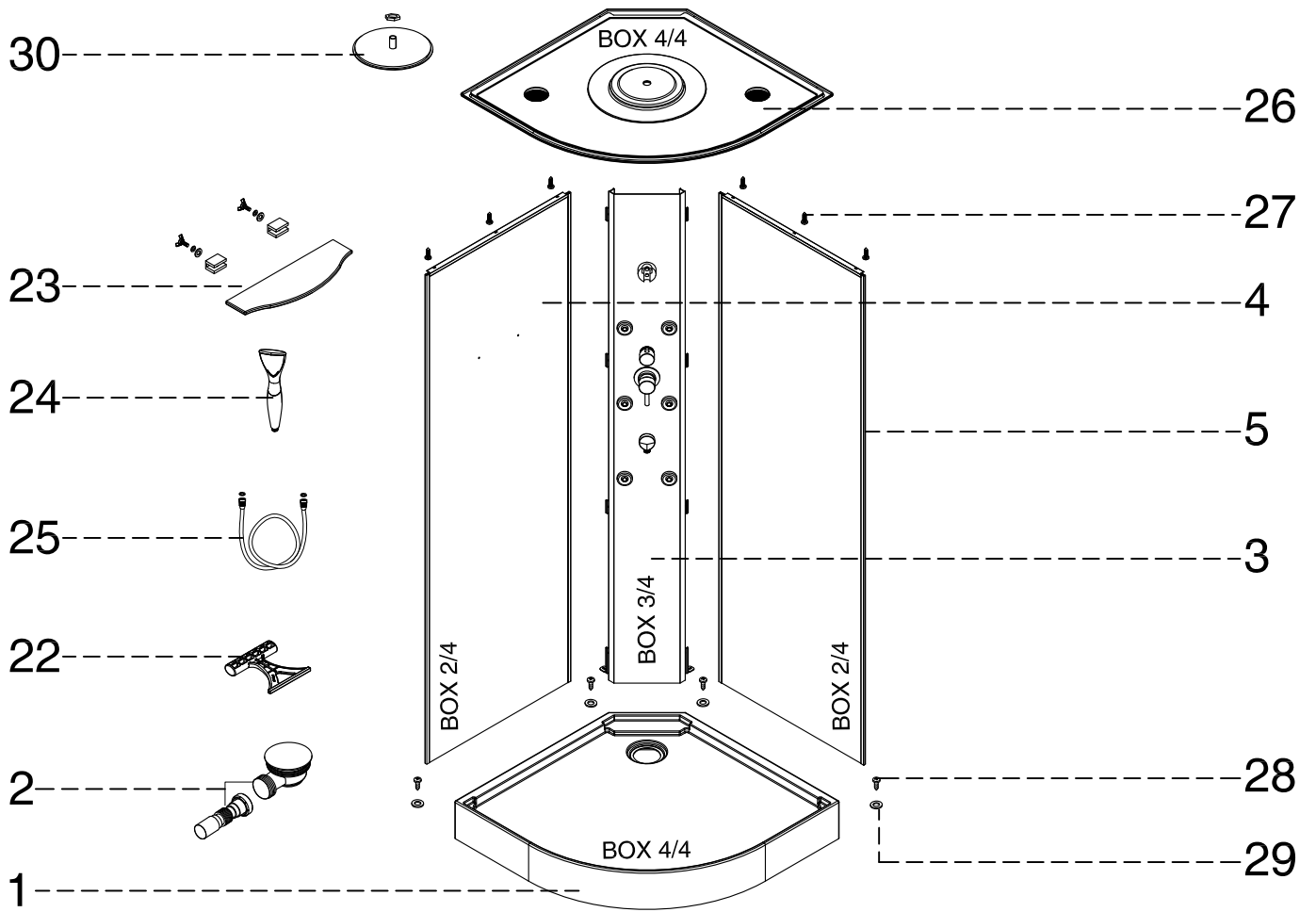


V2

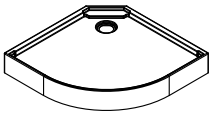
C80045

90X90X215 cm



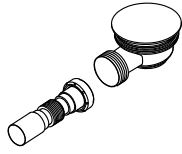


1 ZBC80045-01



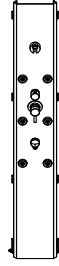
X1

2 ZBC80000-02



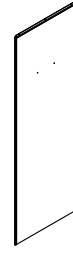
X1

3 ZBC80000-03.1



X1

4 ZBC80000-04



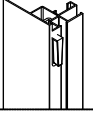
X1

5 ZBC80000-05



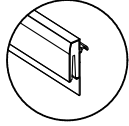
X1

6 ZBC80000-06.2



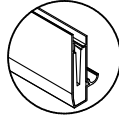
X1

7 ZBC80045-07



X1

8 ZBC80045-08



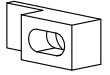
X1

9 ZBC80045-09



X2

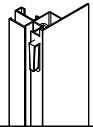
10 ZBC80043-10



5 mm

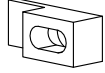
X2

ZBC80000-06.3



X1

11 ZBC80043-11



4 mm

X2

12 ZBC80043-11



ST3.9X9.5

X2

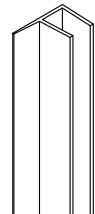
13 ZBC80043-10



ST3.9X13

X2

14 ZBC80000-19



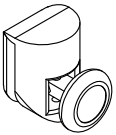
X2

15 ZBC80045-14



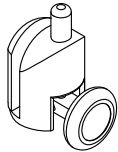
X2

16 ZBC80047-15



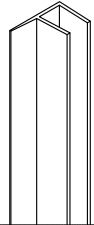
X4

17 ZBC80047-16



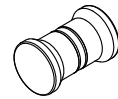
X4

18 ZBC80000-18



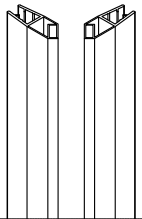
X2

19 ZBC80000-22



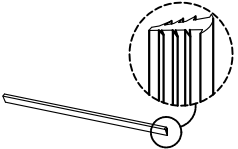
X2

20 ZBC80000-17.1



X1

21 ZBC80000-20



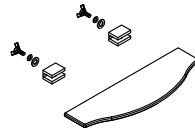
X2

22 ZBC80000-21



X1

23 ZBC80000-35



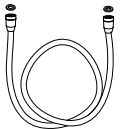
X1

24 ZBC80000-28



X1

25 ZBC80000-29



X1

26 ZBC80045-33



X1

27 ZBC80045-33



ST3.9X13

X6

28 ZBC80000-39



ST3.9X16

X4

2

29 ZBC80000-39



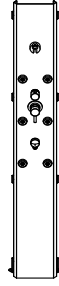
X4

30 ZBC80000-34



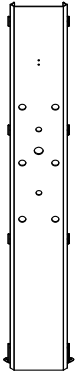
X1

3 ZBC80000-03.1

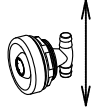


X1

3.2 ZBC80000-03.2

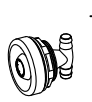


3.3 ZBC80047-23



X5

3.4 ZBC80047-24



X1

3.5 ZBC80047-25



X1

3.6 ZBC80047-26



X1

3.7 ZBC80047-27



X1

3.8 ZBC80047-30



X1

3.9 ZBC80047-31



X1

3.10 ZBC80047-37



X2

3.11 ZBC80047-38



X16

3.12 ZBC80000-36



X2

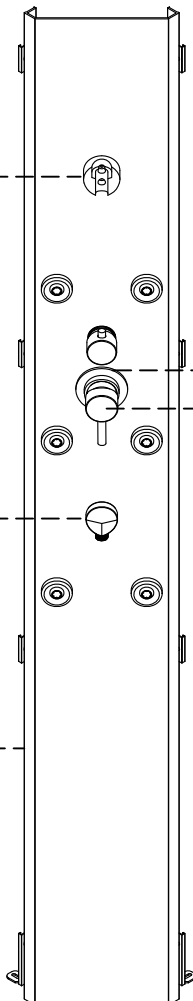
3.8



3.9



3.2



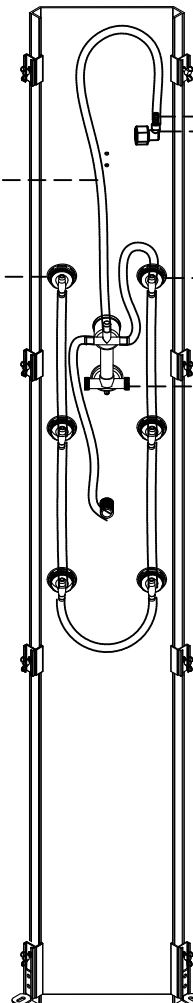
3.6

3.7

3.12

3.4

3.5

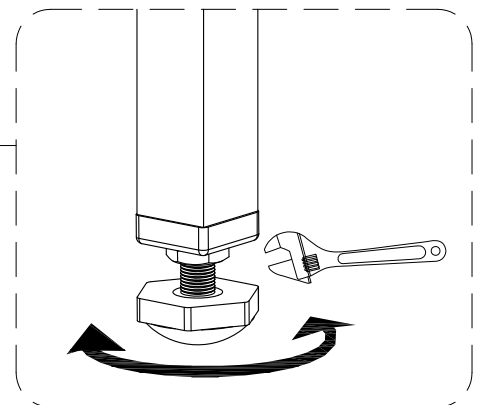
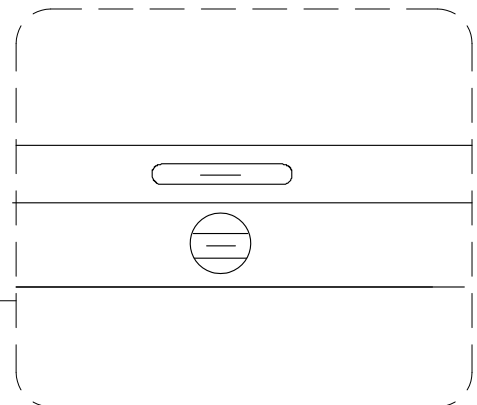
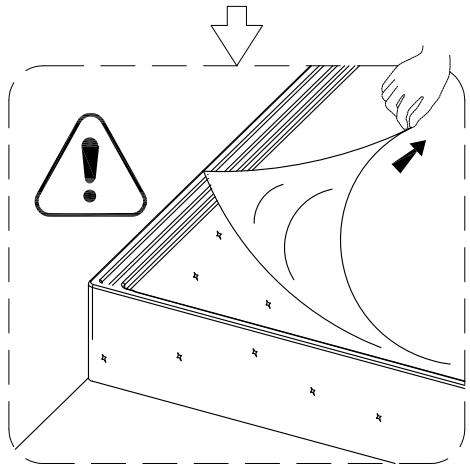
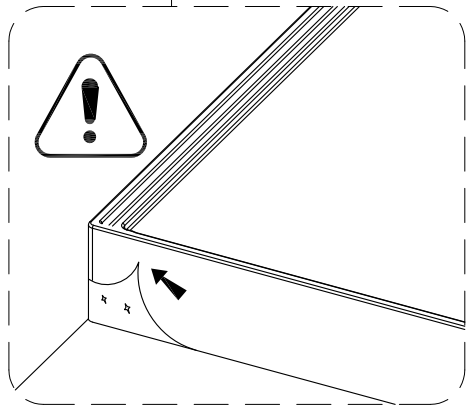
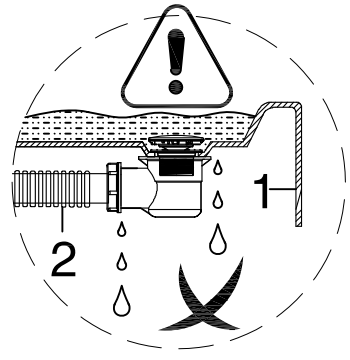
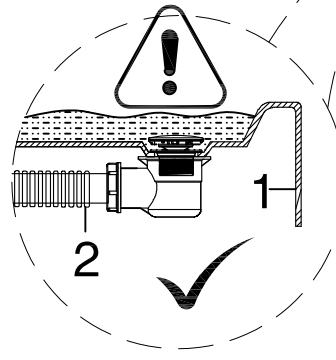
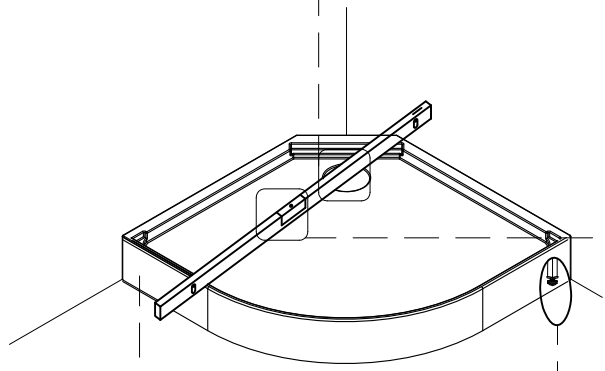
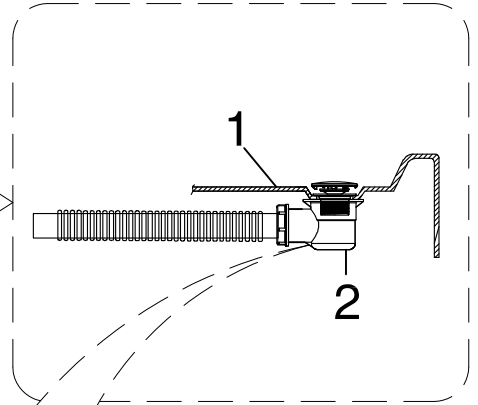
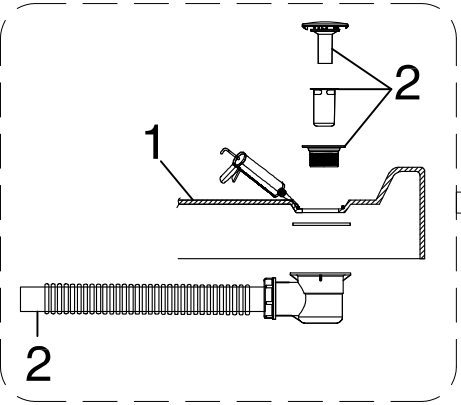
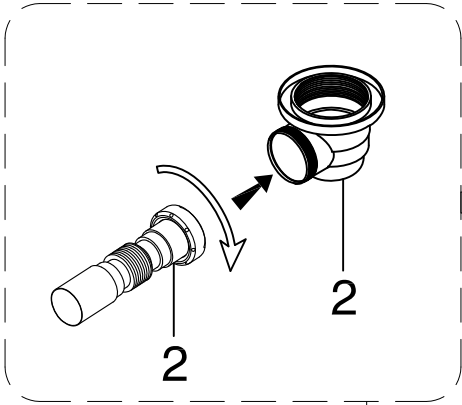
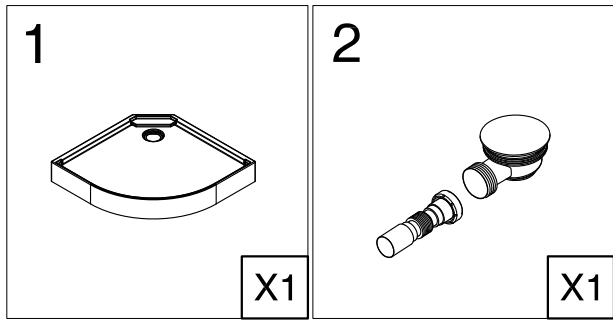


3.11

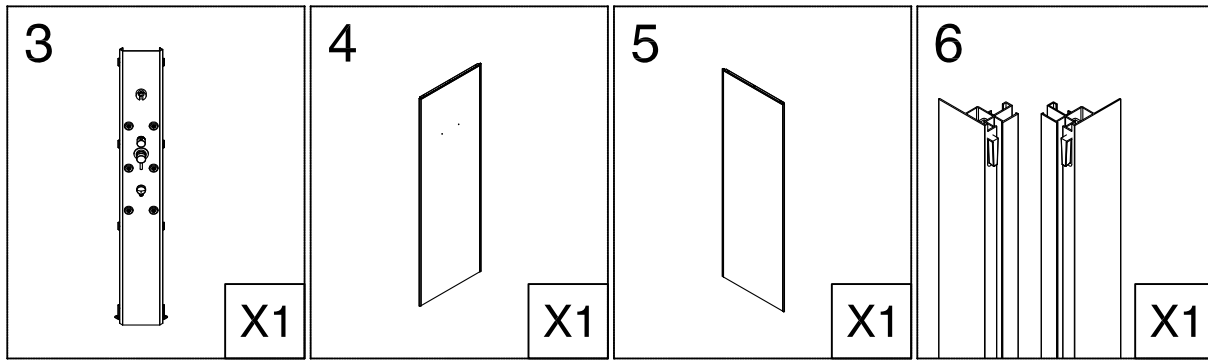
3.10

3.3

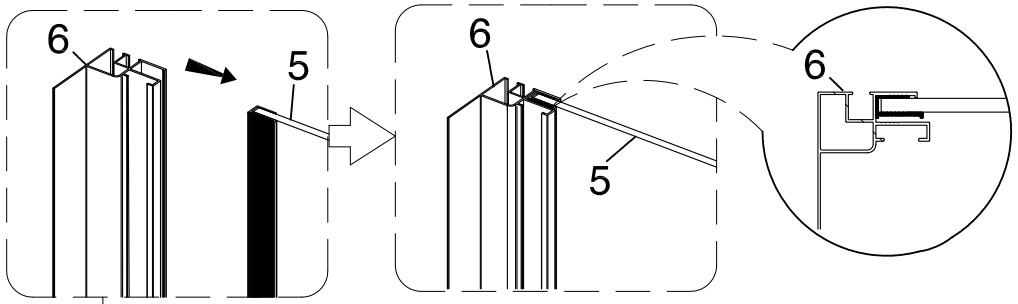
3.5



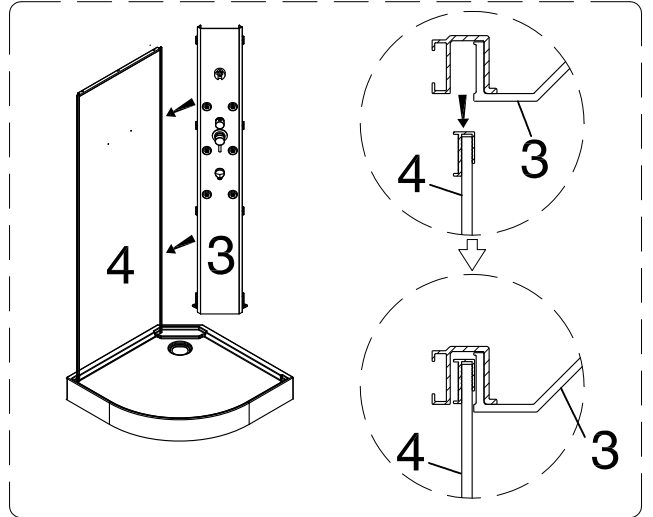
3



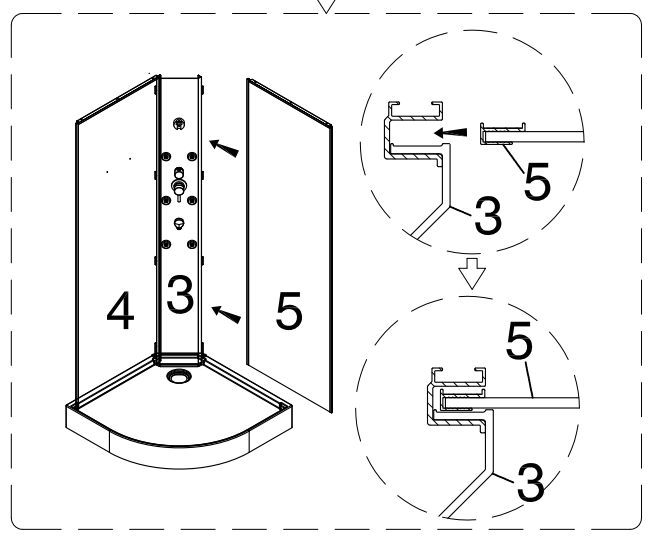
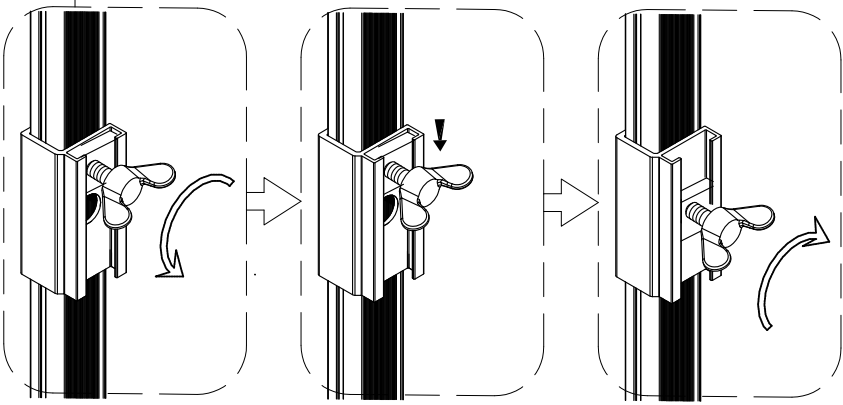
STEP 2

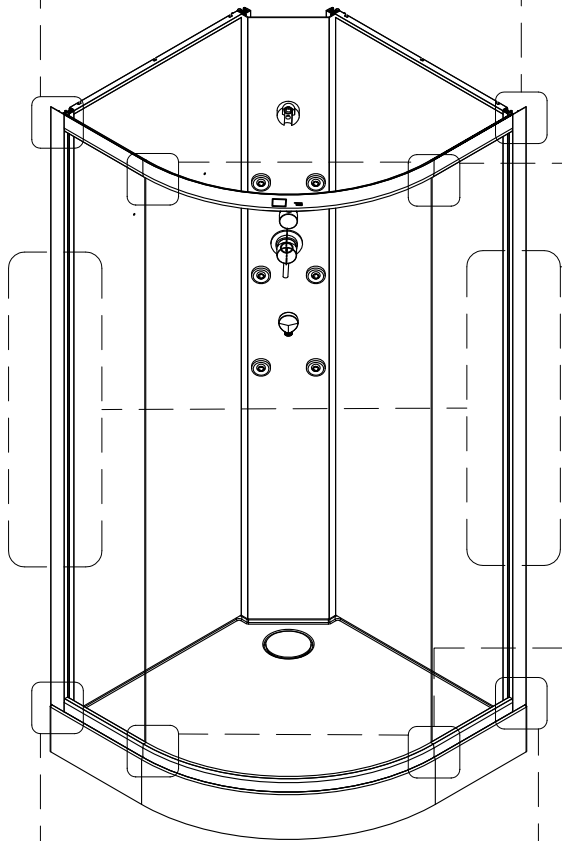
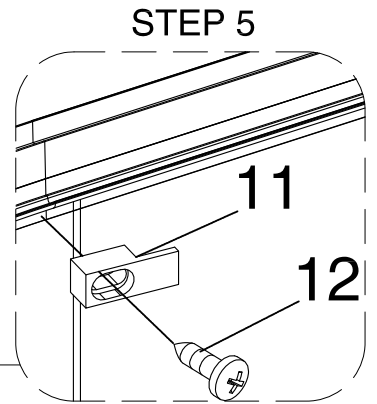
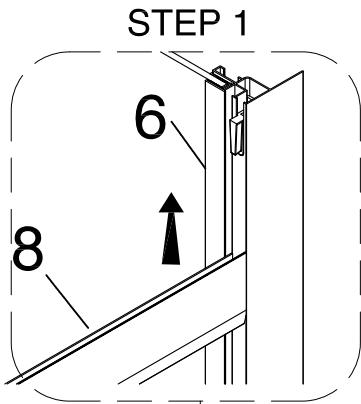
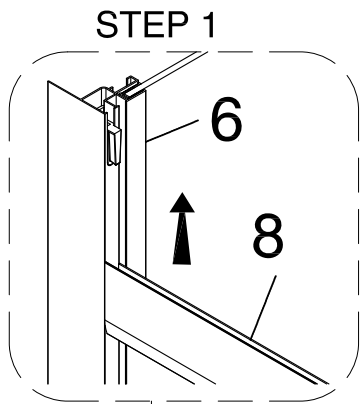
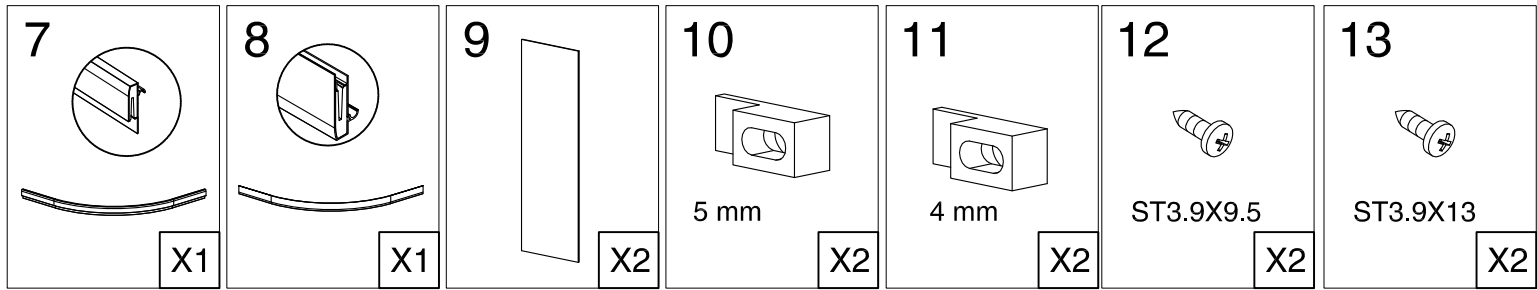


STEP 1

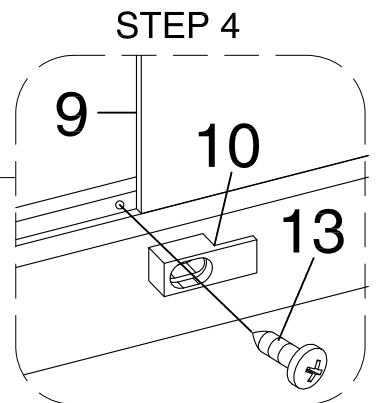
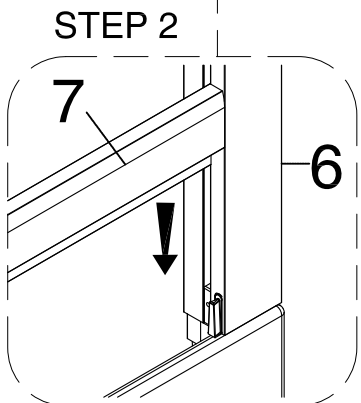
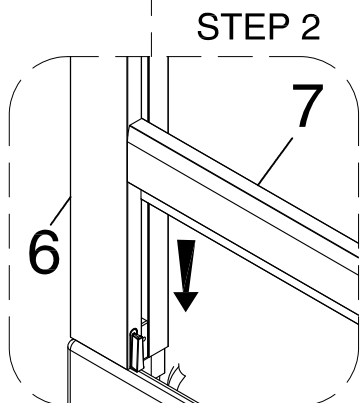
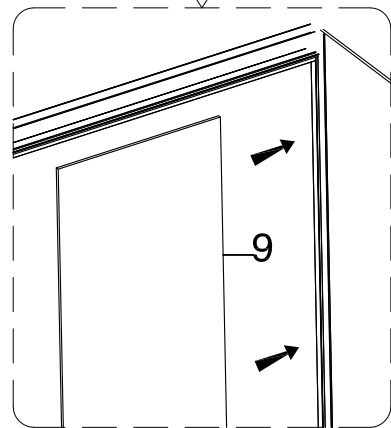
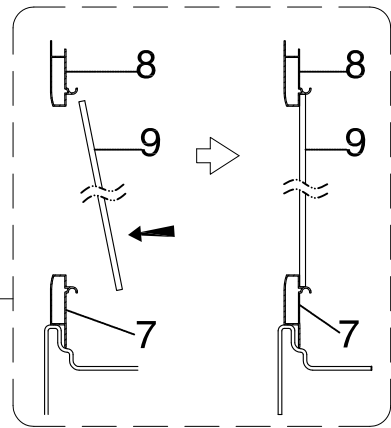


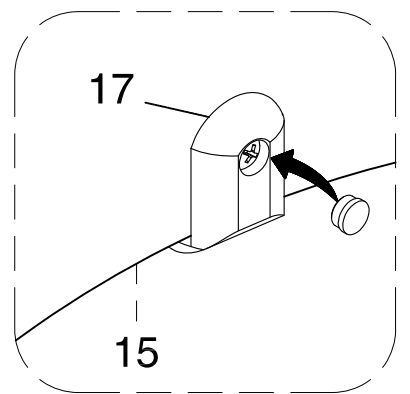
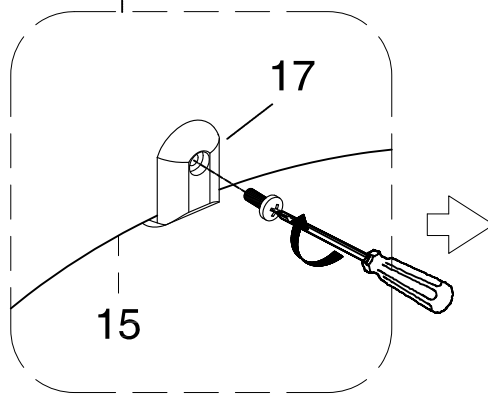
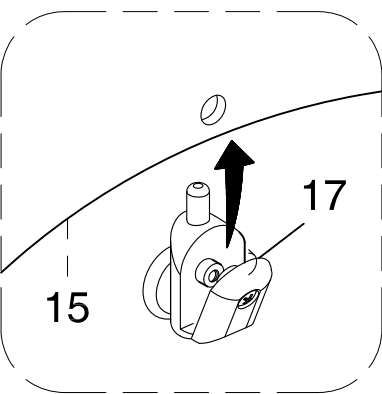
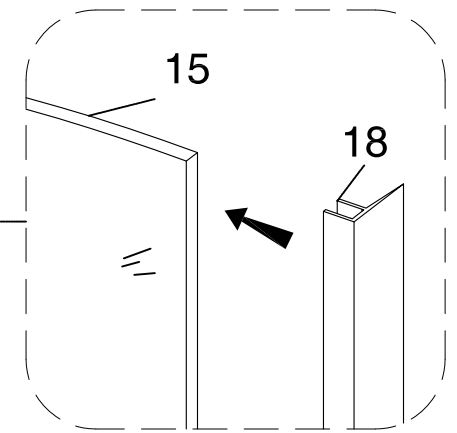
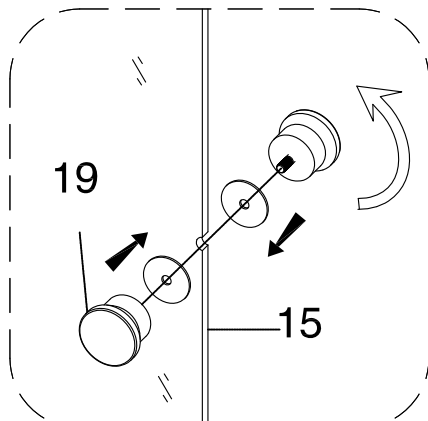
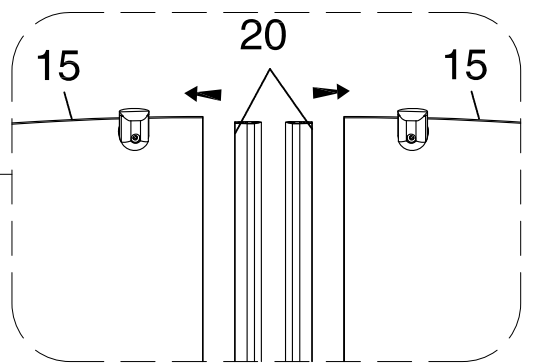
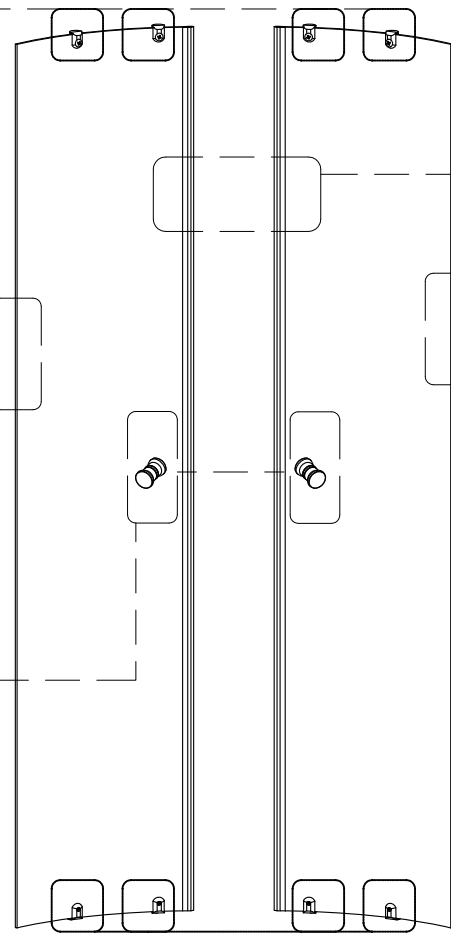
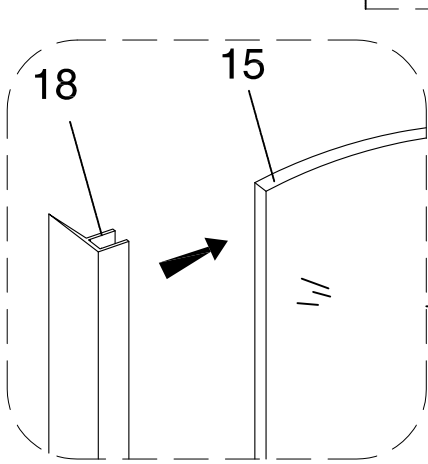
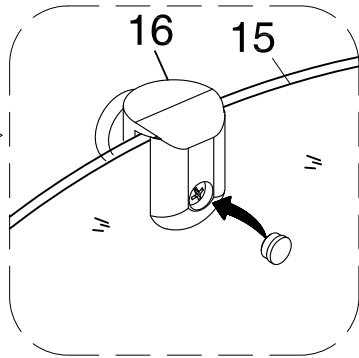
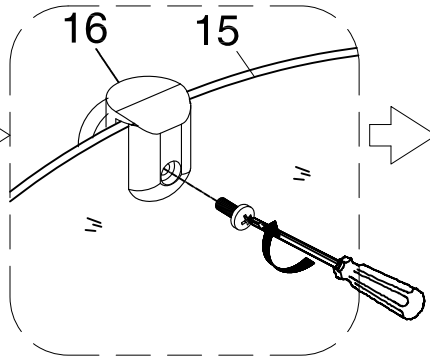
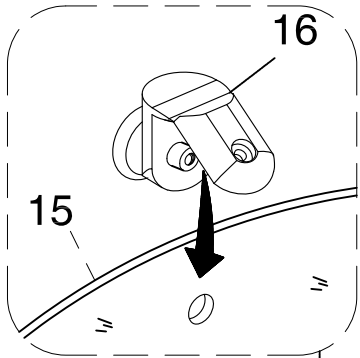
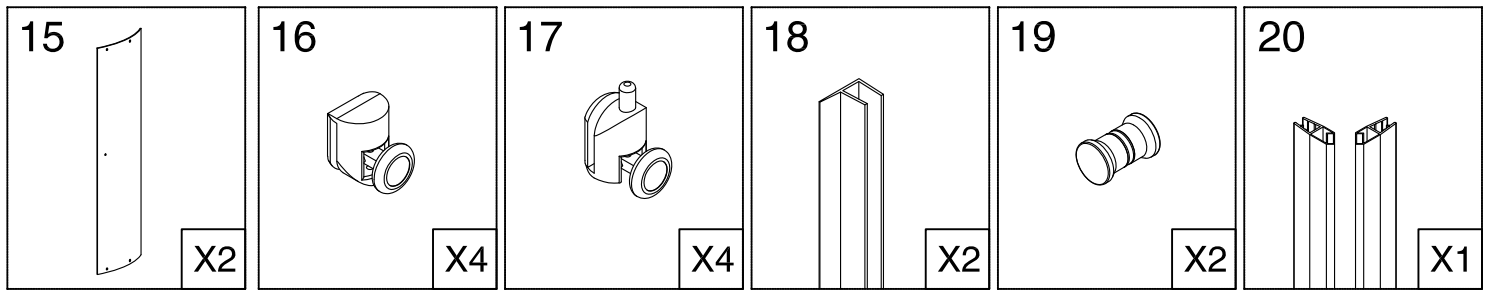
STEP 3



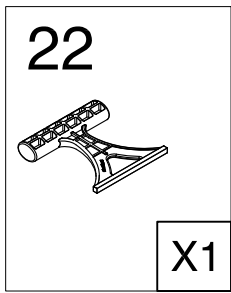
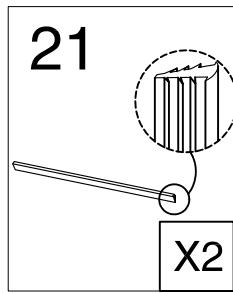
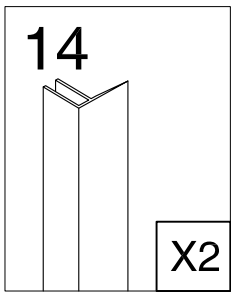


STEP 3

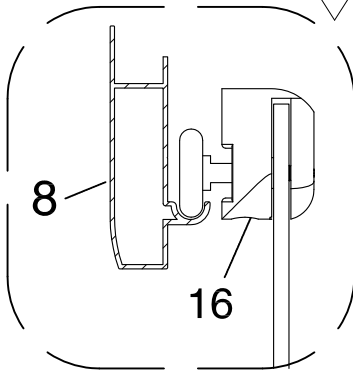
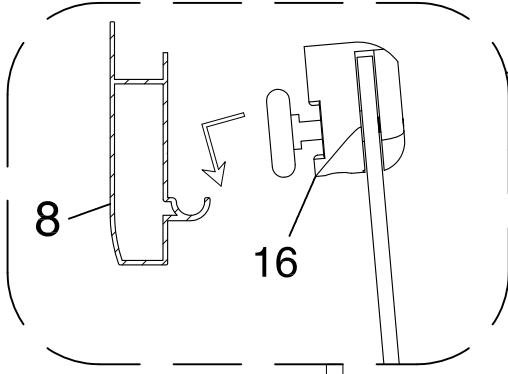




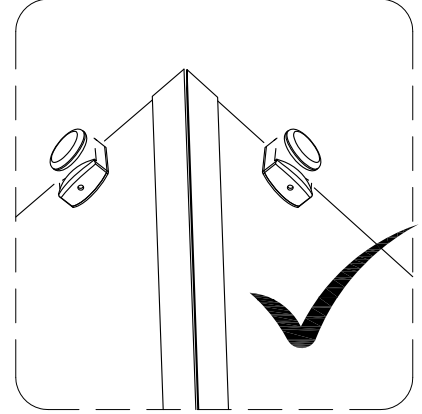
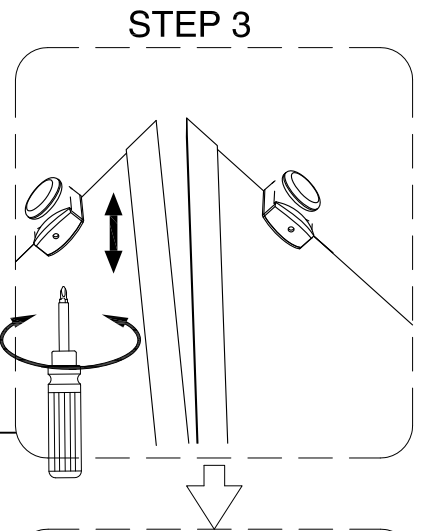
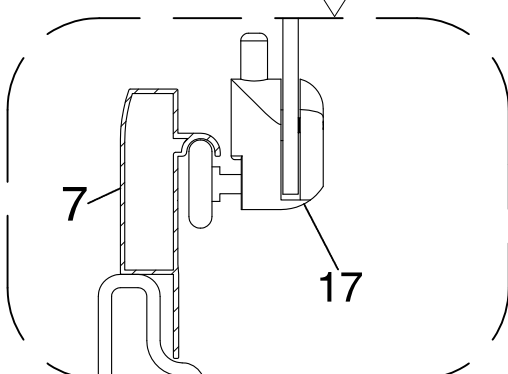
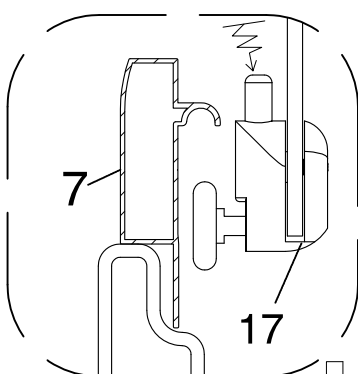




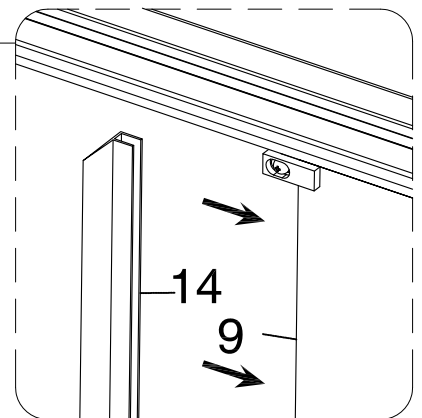
STEP 1



STEP 2



STEP 4



STEP 5

