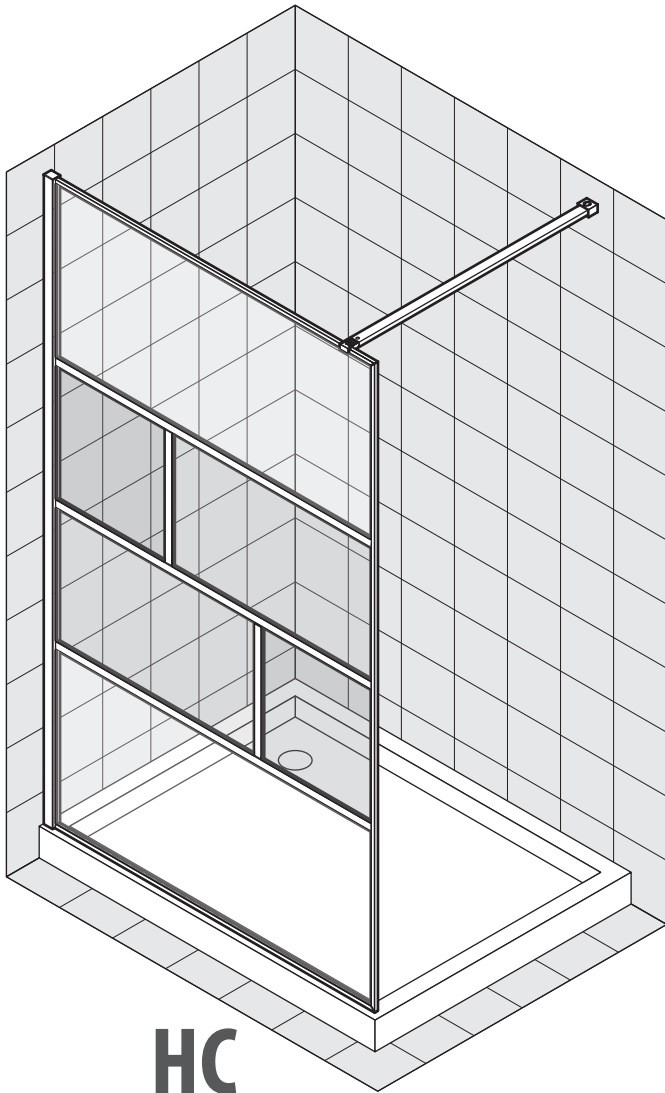
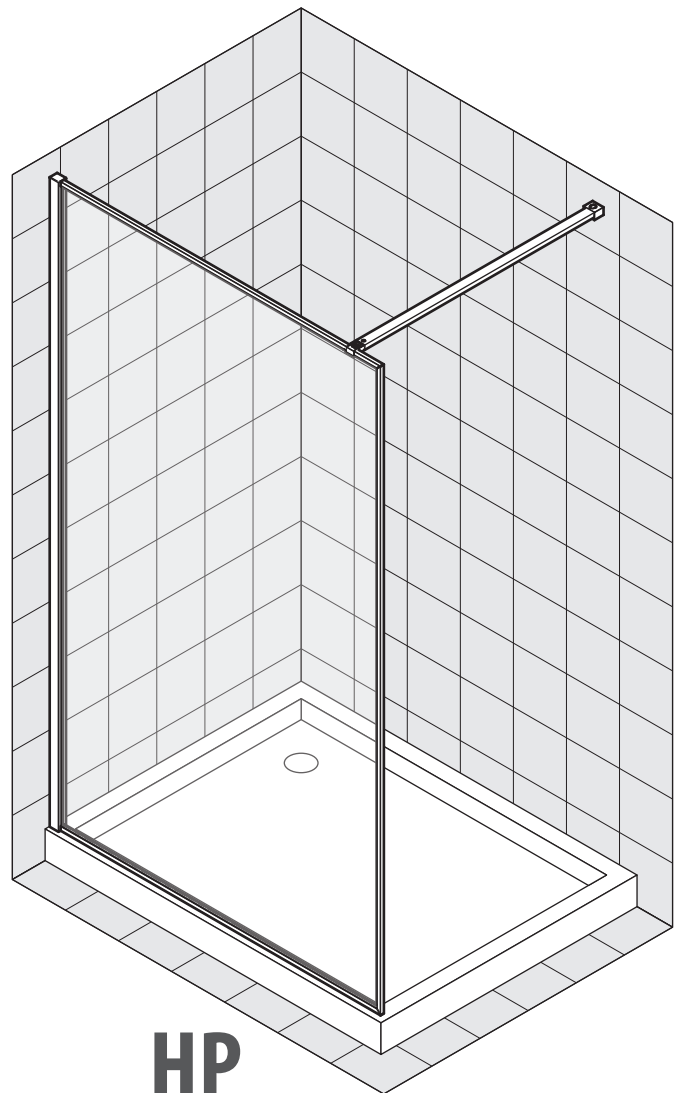


HC-HP

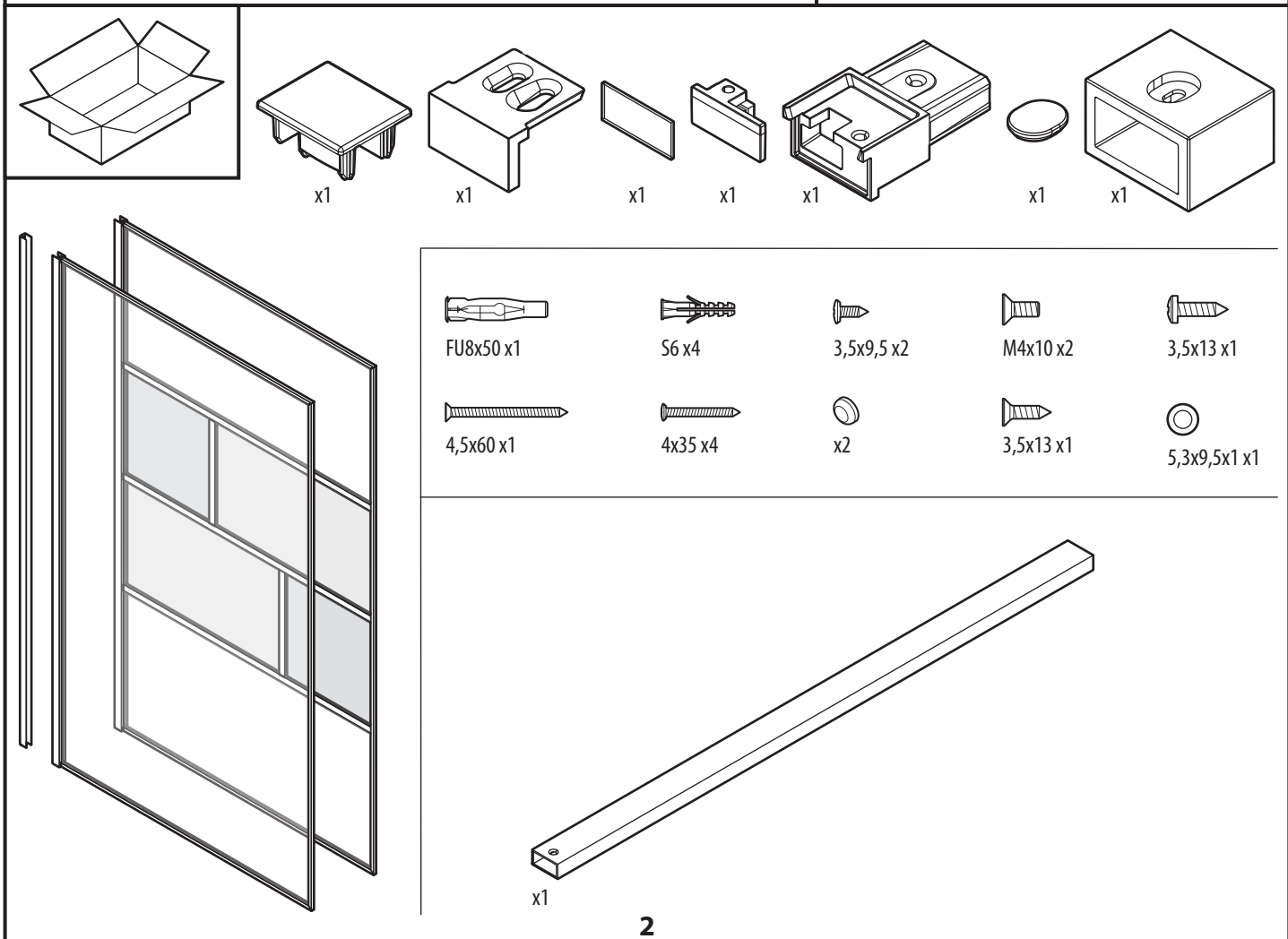
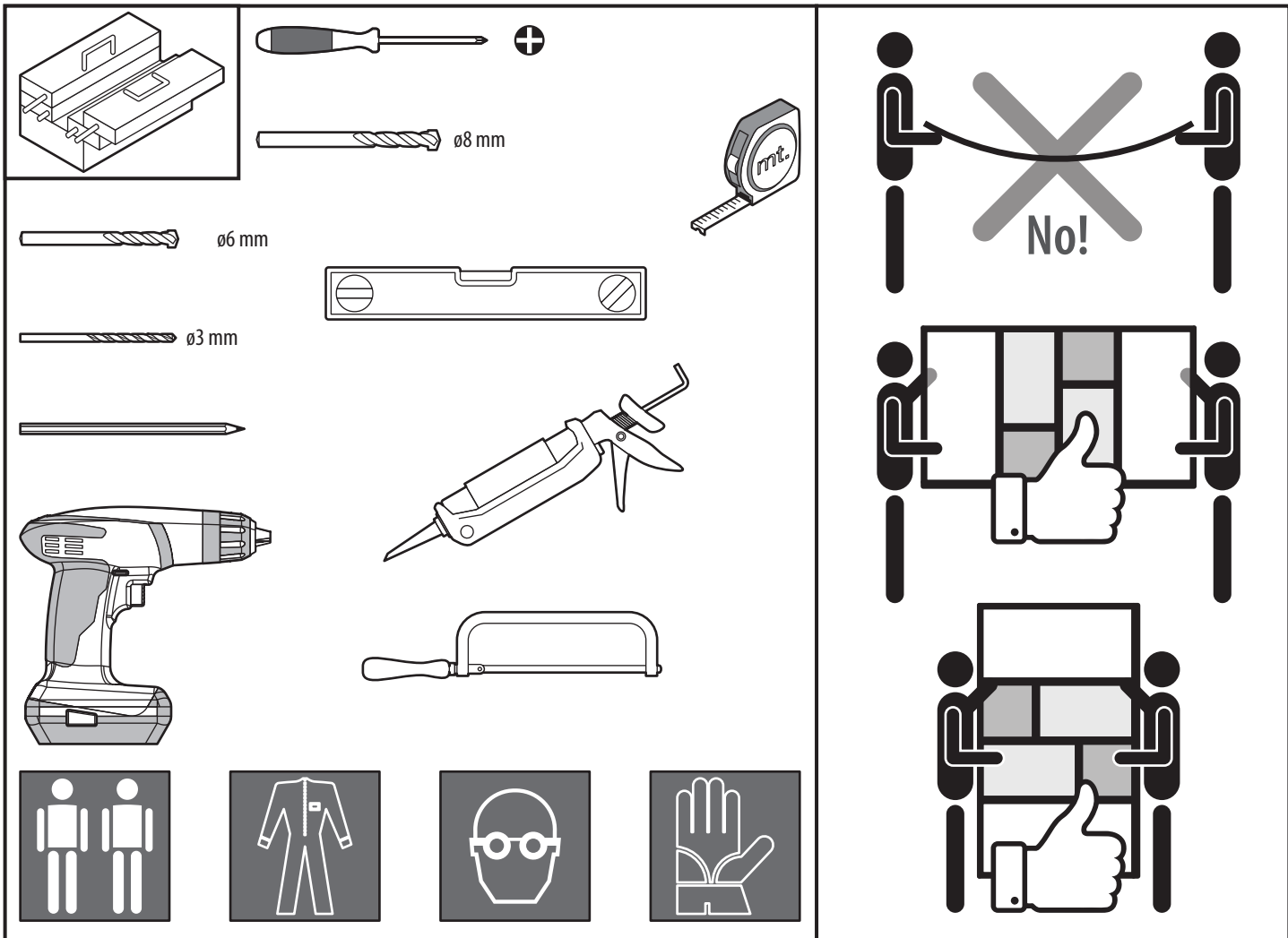


HC



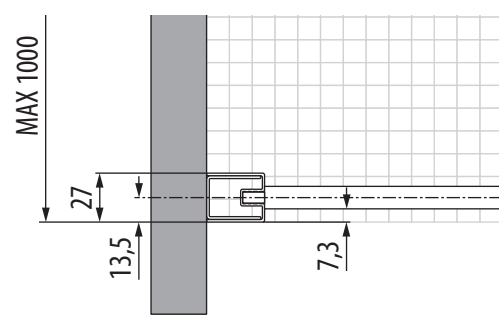
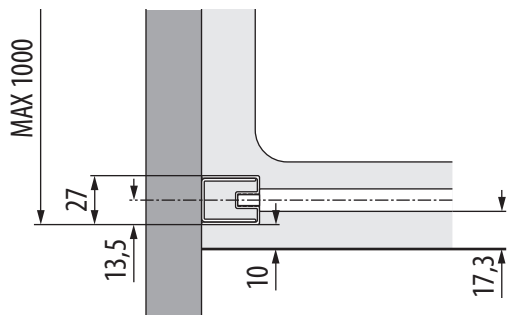
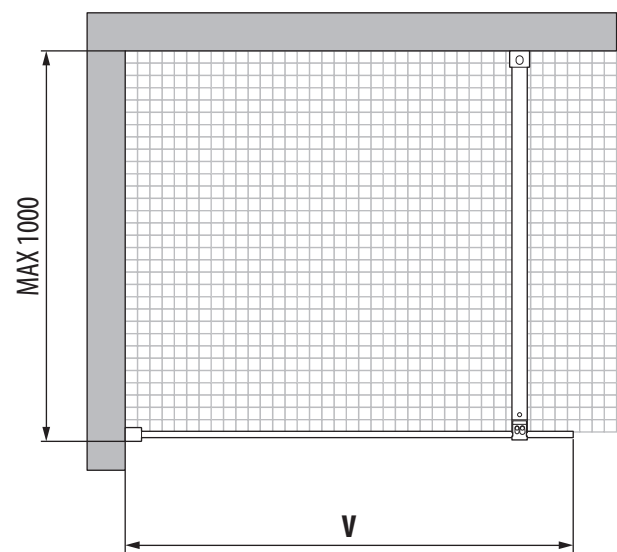
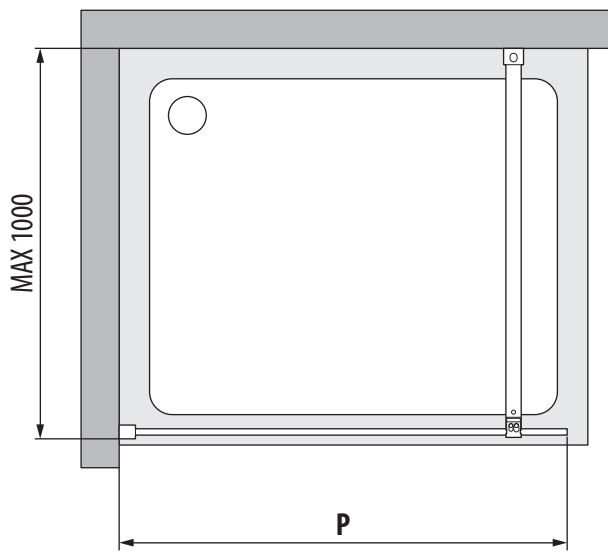
HP

<hr/> <hr/> <hr/> <hr/>	<hr/> <hr/> <hr/> <hr/>
-------------------------	-------------------------

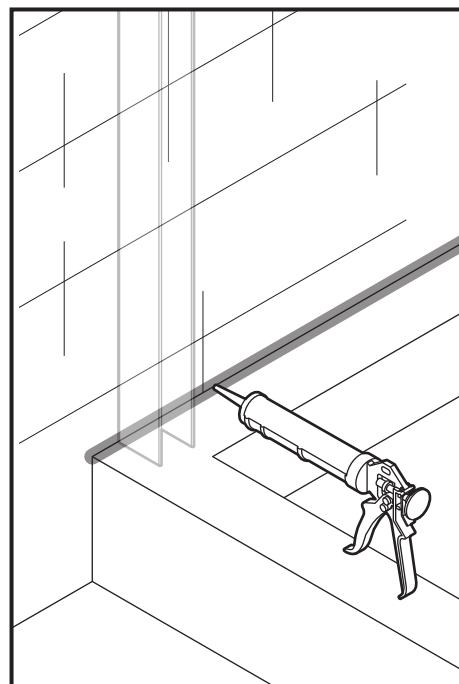
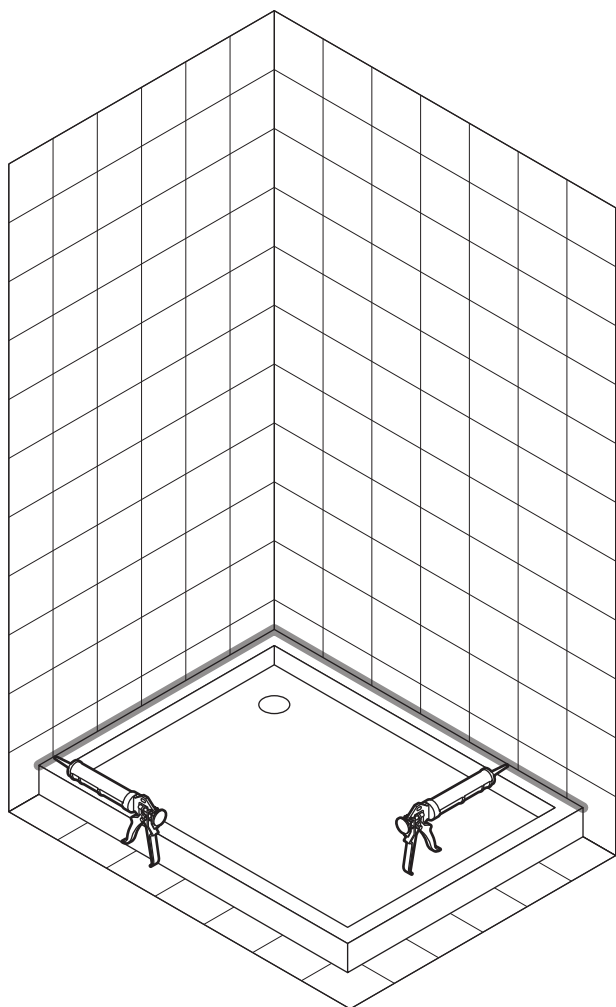


HC-HP	P
80	770-785
90	870-885
100	970-985
120	1170-1185
140	1370-1385

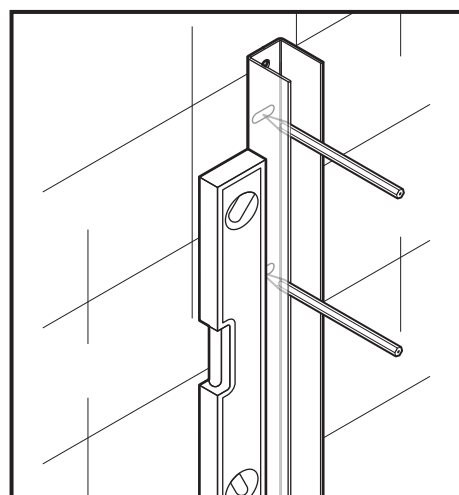
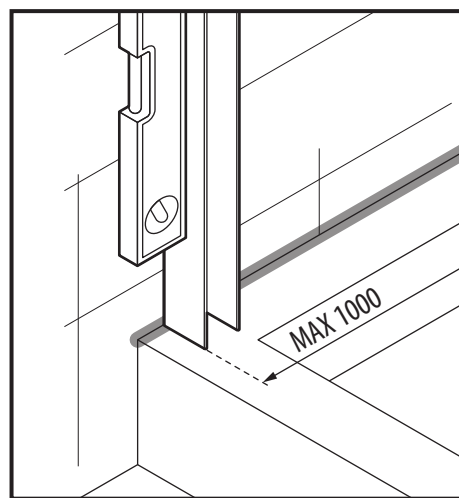
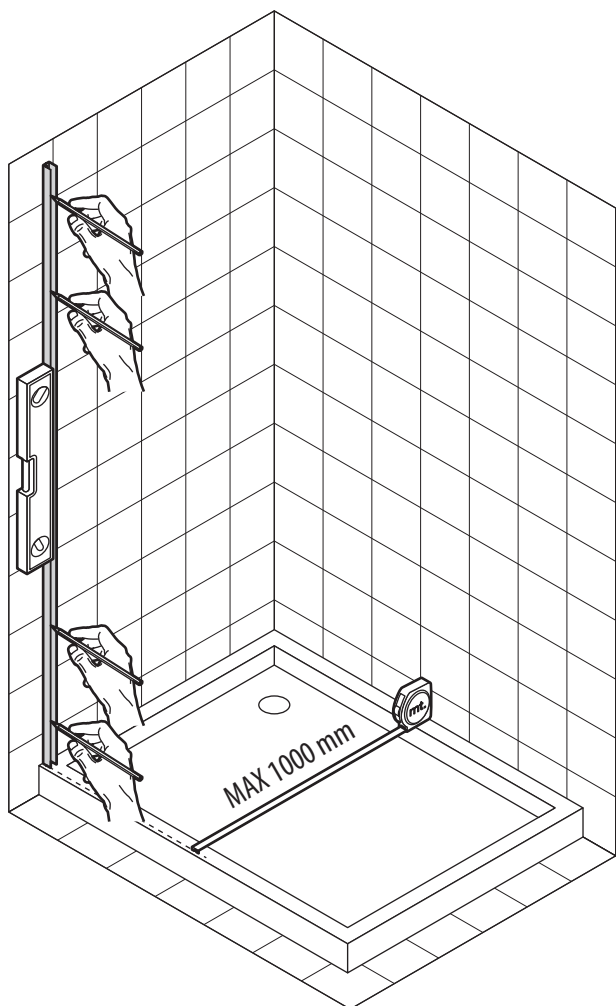
HC-HP	V
80	770-785
90	870-885
100	970-985
120	1170-1185
140	1370-1385



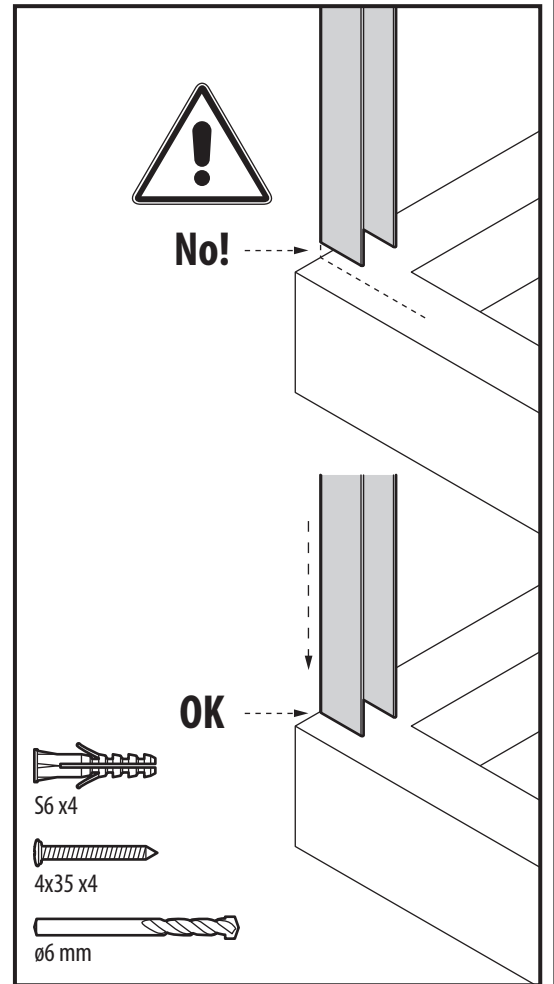
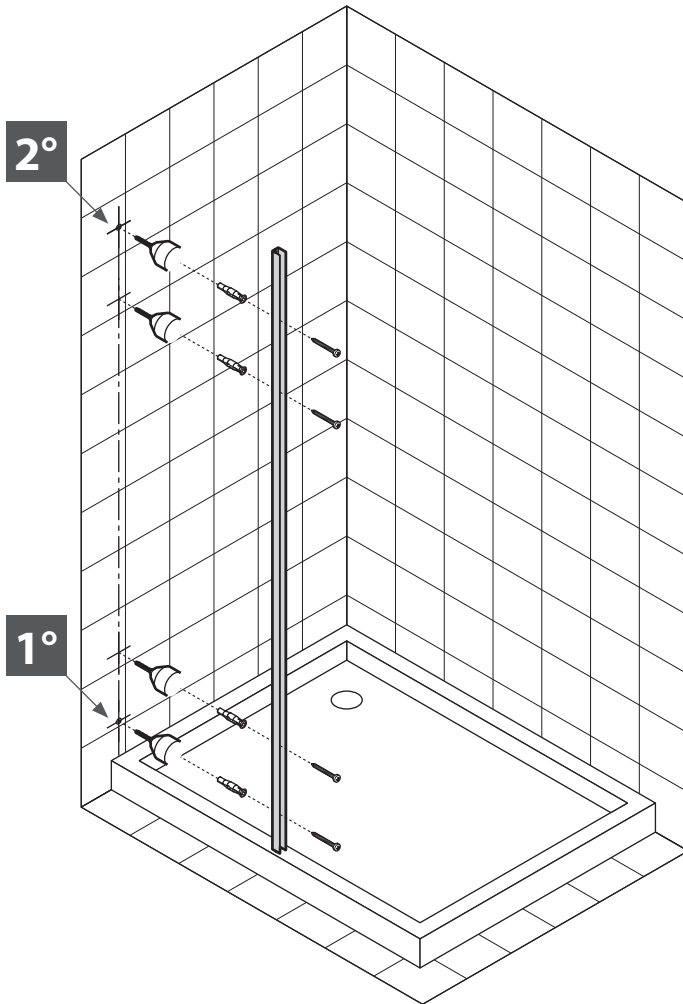
1



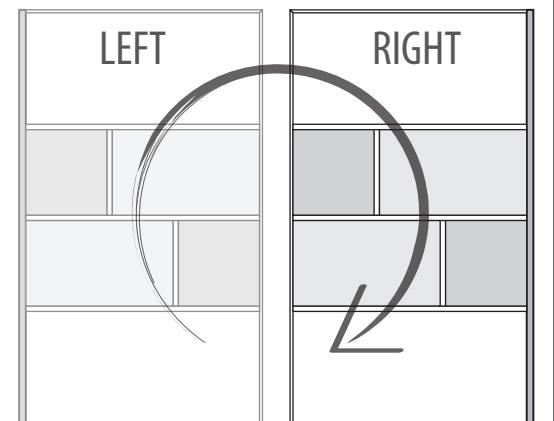
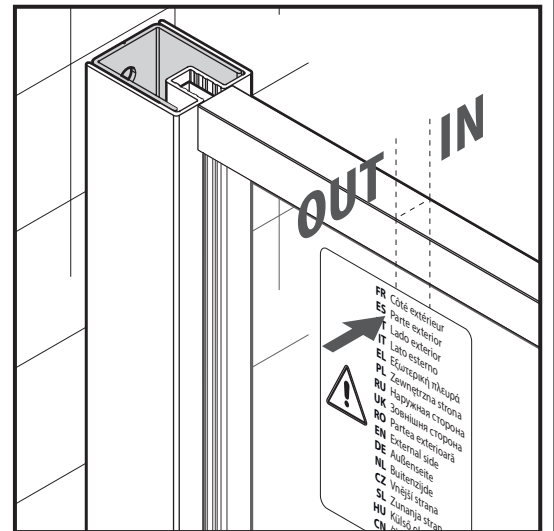
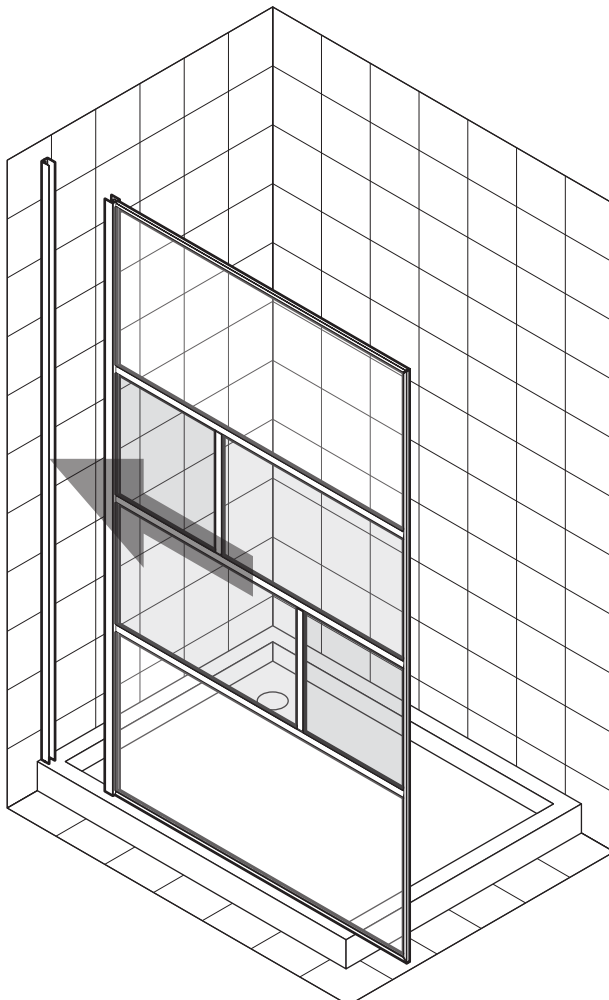
2



3



4



5

5



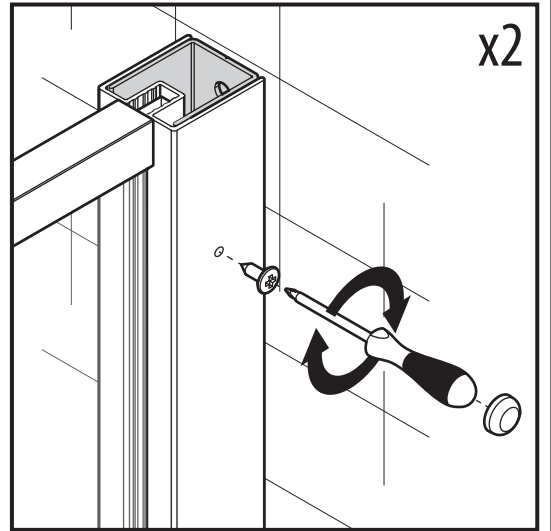
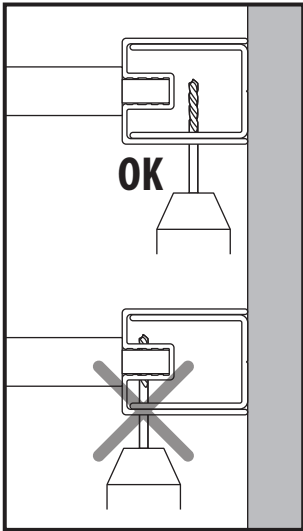
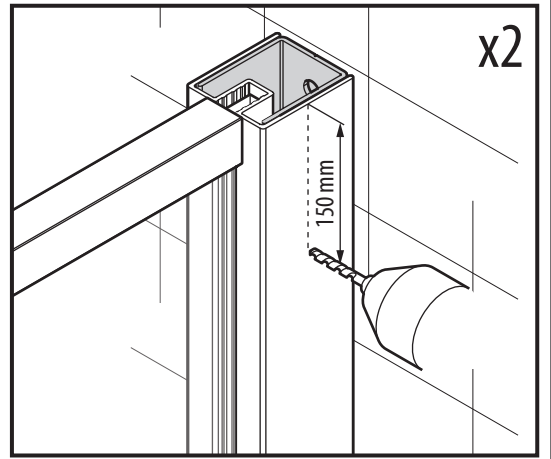
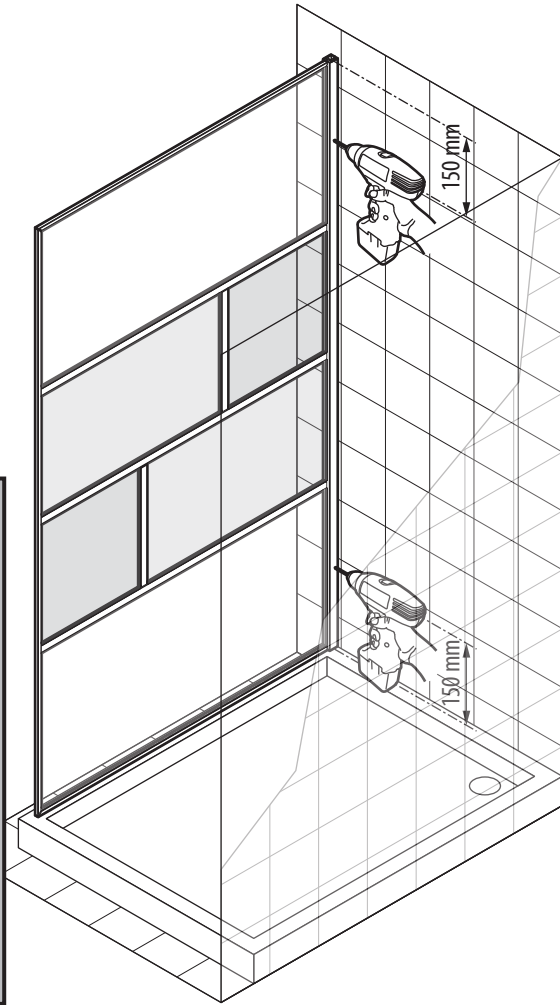
ø3 mm



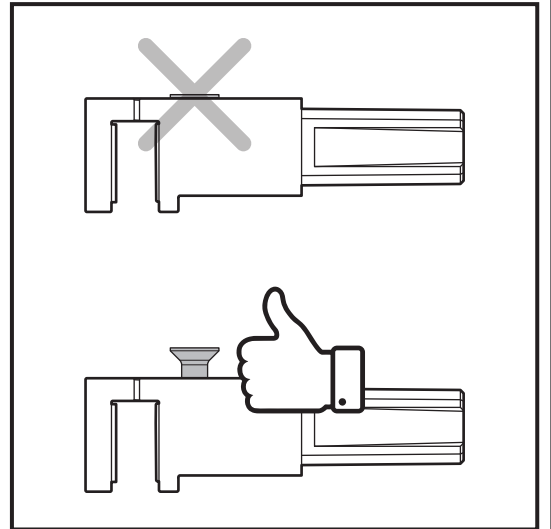
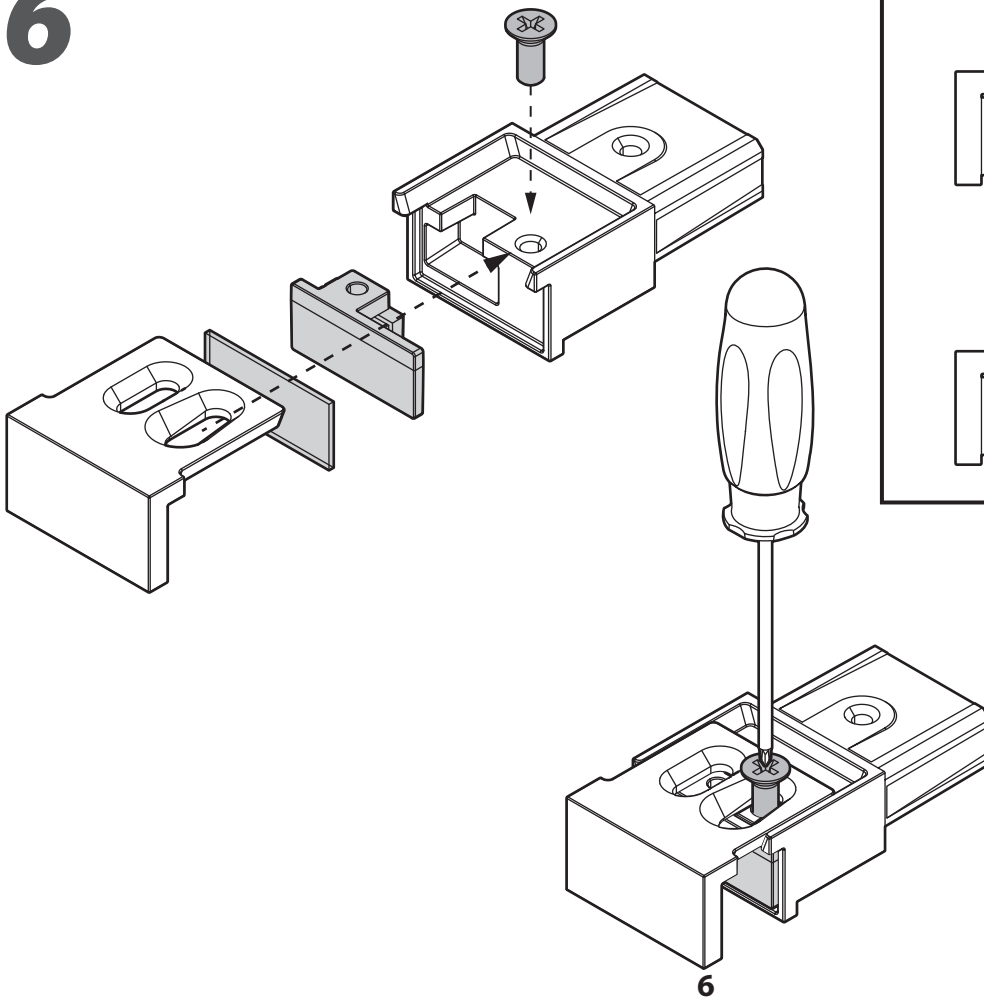
3,5x9,5 mm x2



x2

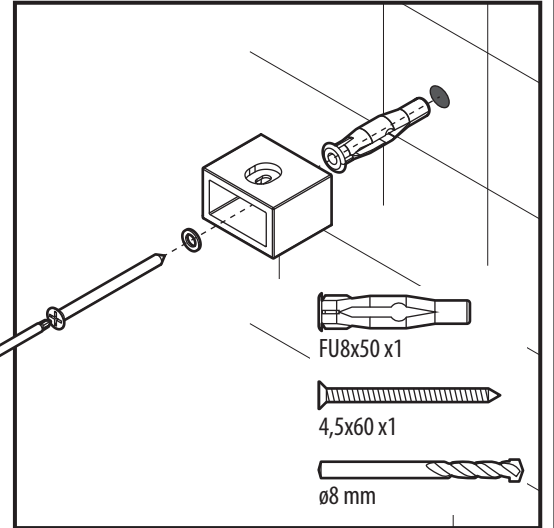
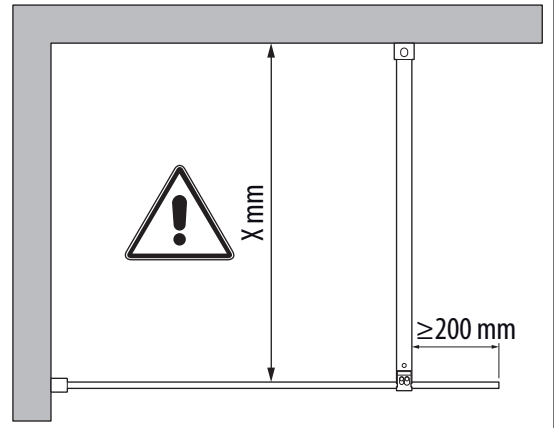
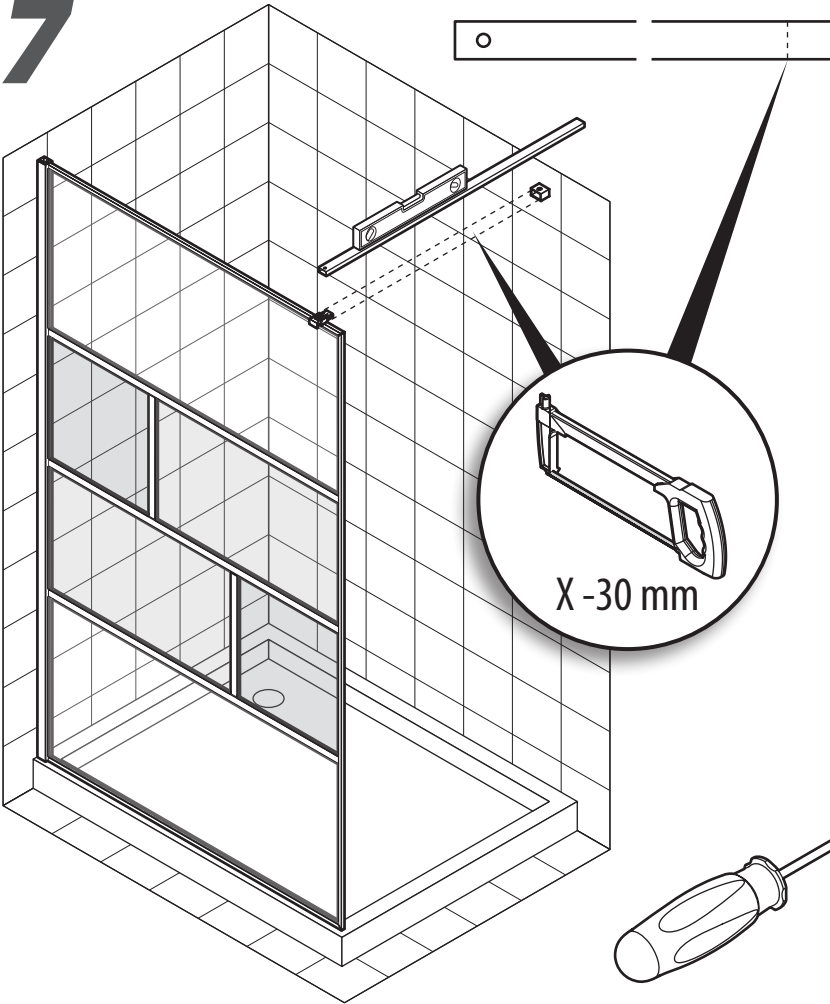


6

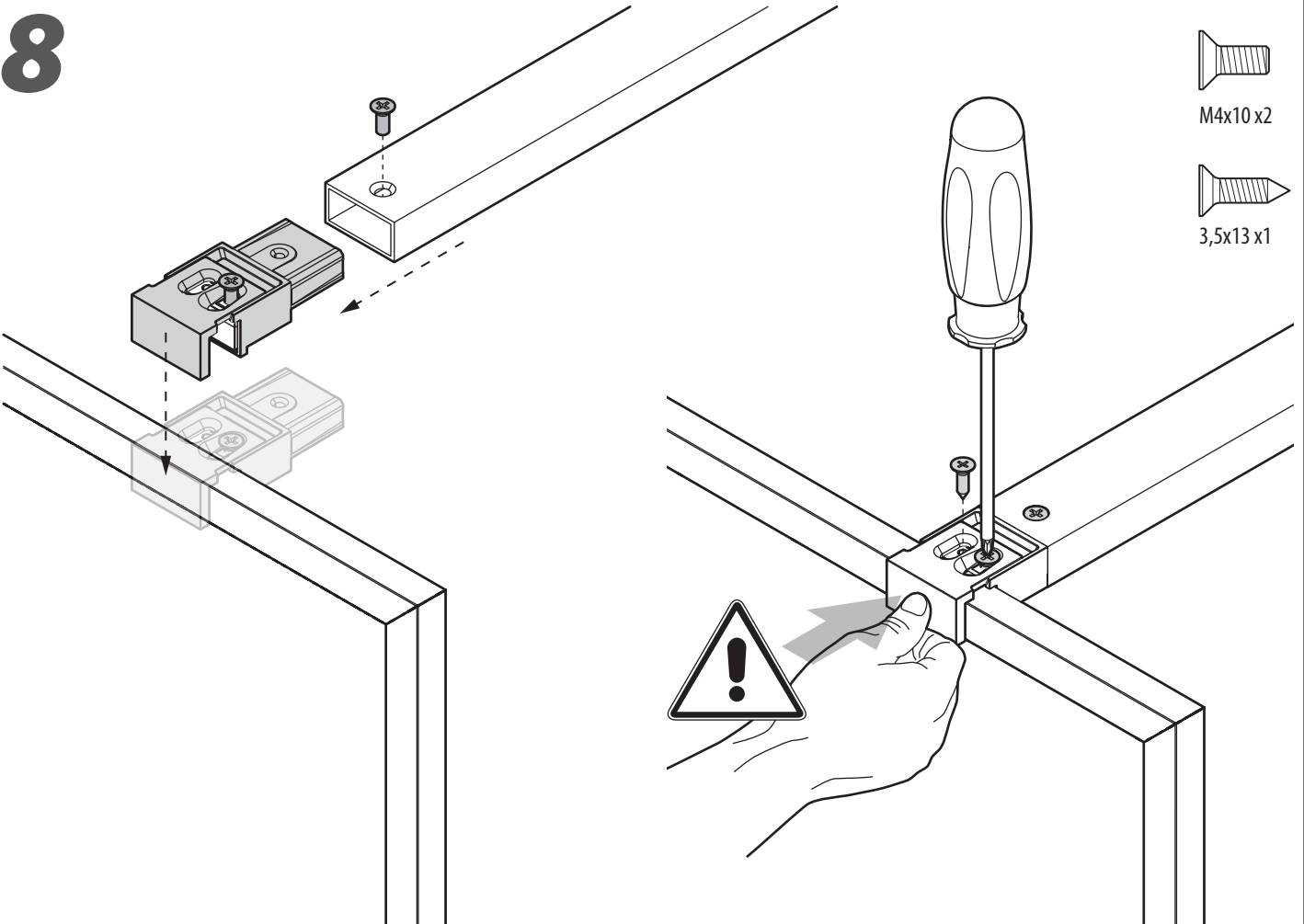


M4x10 x1

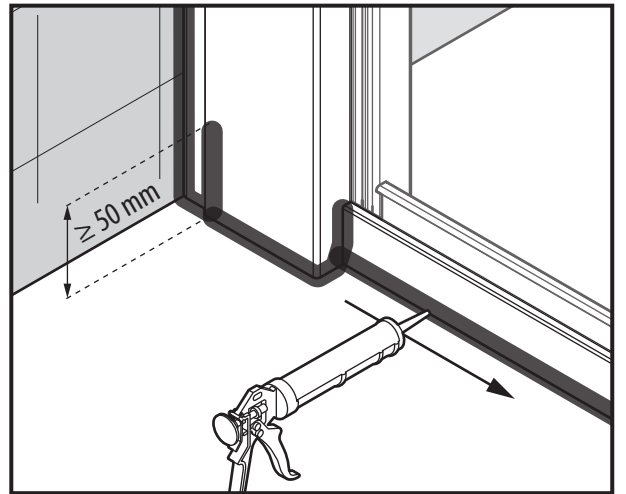
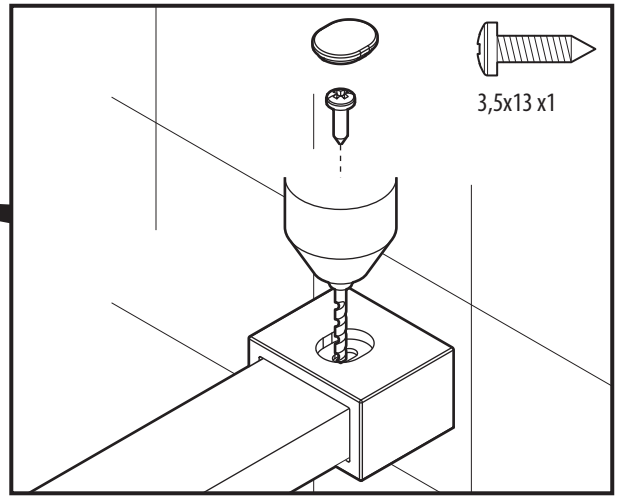
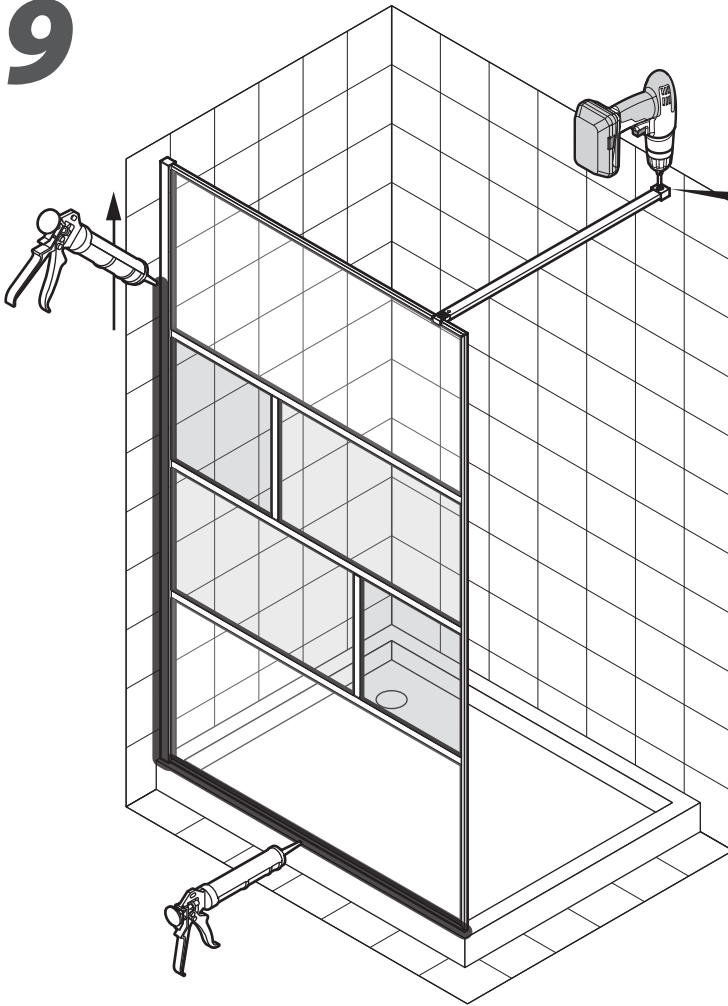
7



8



9



10

