

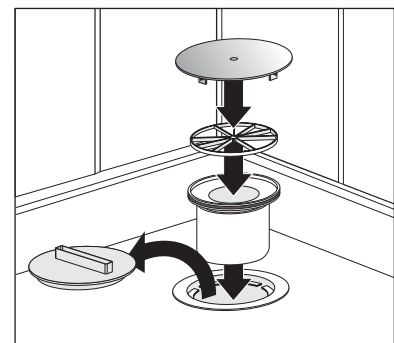
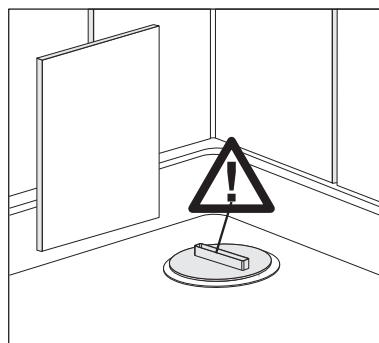
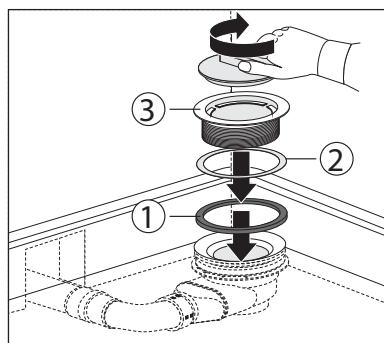
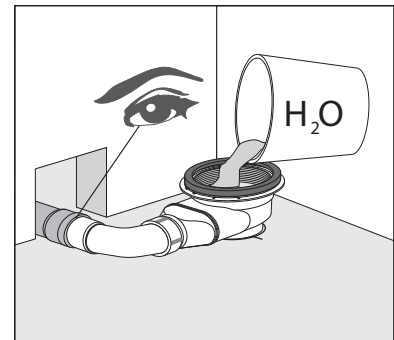
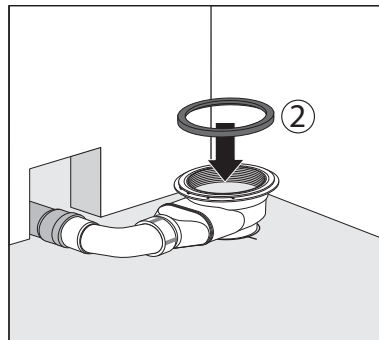
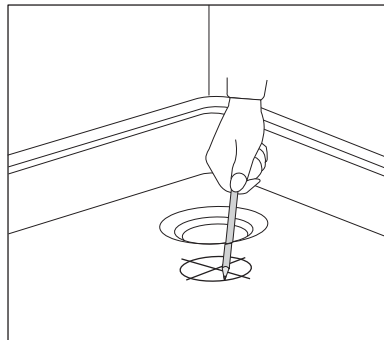
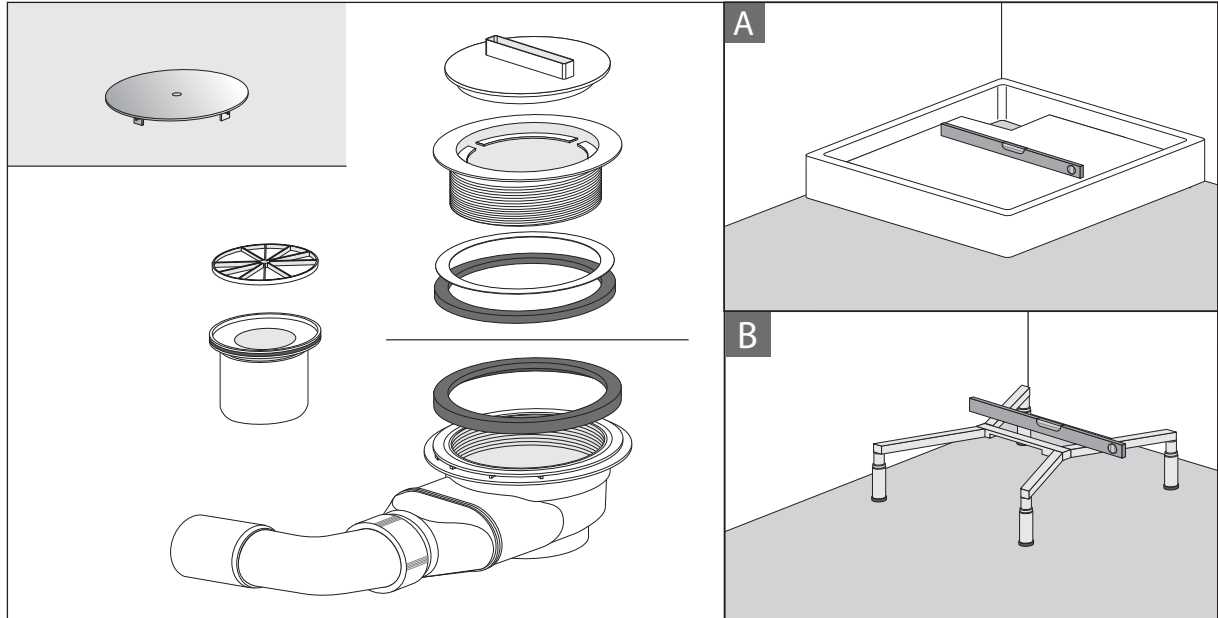


Montageanleitung

Ablaufgarnitur Tasso 90



[mm]



Service

The service diagram includes several icons and instructions:

- 1. Disassembly: An arrow points upwards from the drain unit to the top cover.
- 2. Cleaning: A faucet with water droplets is shown next to the disassembled components.
- Warnings: A triangle with an exclamation mark indicates a warning. A can of 'Chlor Chlorine (Cl)' is crossed out with an 'X', indicating that chlorine should not be used.
- Material care: A roll of paper and a liquid being poured are crossed out with 'X'. A sponge and a brush are marked with a checkmark, indicating they are approved for cleaning.
- 3. Reassembly: An arrow points downwards from the cleaned components to the reassembled drain unit.