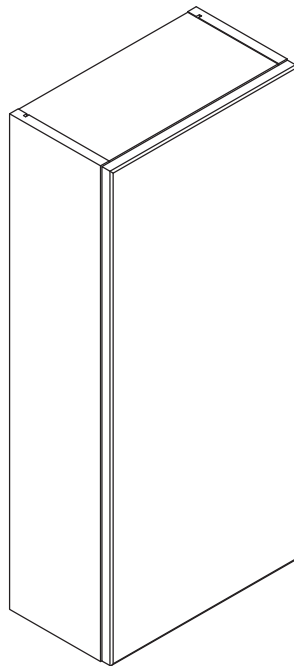
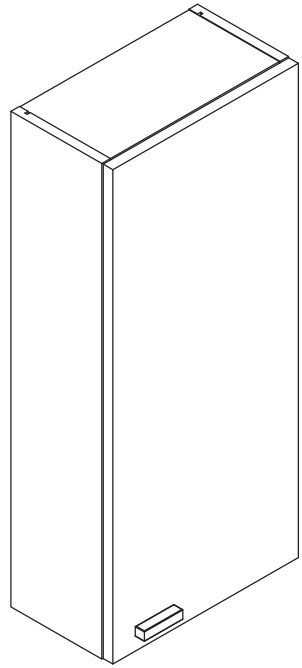
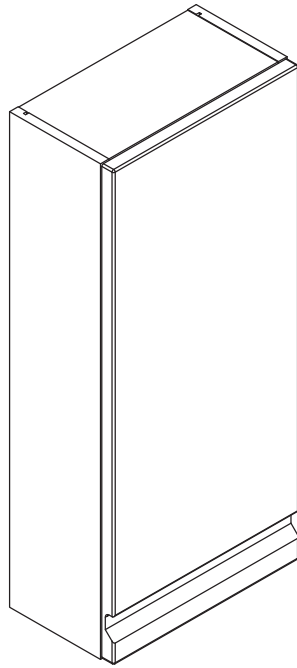
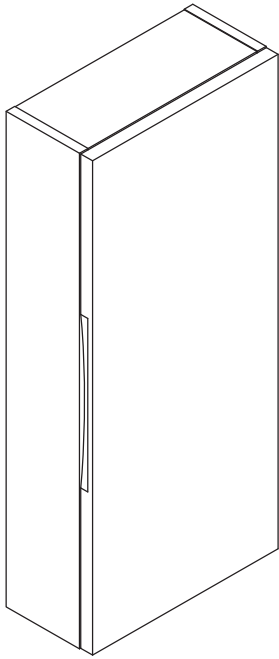
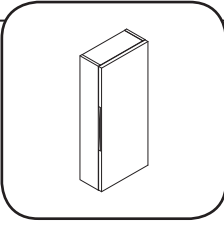


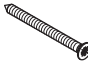

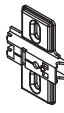



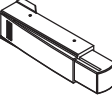



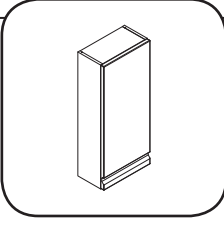




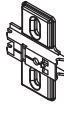



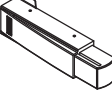


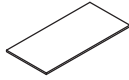


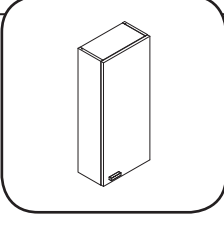


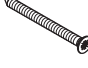

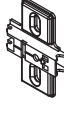



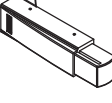


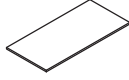


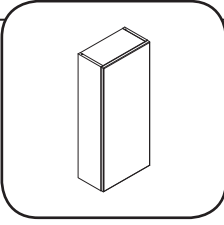


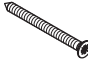

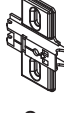




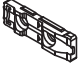

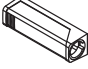
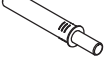



DANSANI
BATHROOM DESIGN



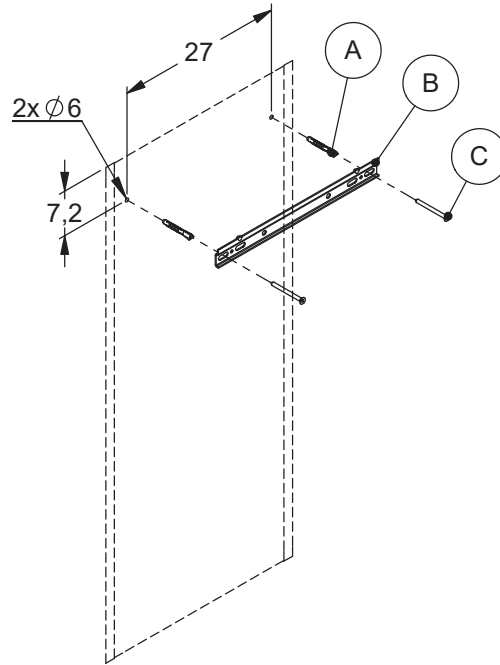
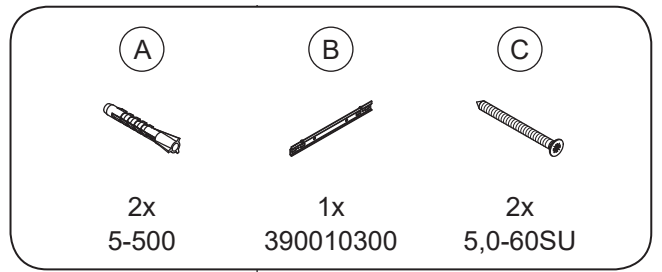
		 4x 5-500	 4x 5,0-60SU	 6x 3900100xx	 2x 190040200	 4x 4,0-16LH
 8x 195050330	 2x 3,5-20SU	 2x 190040610	 2x 19500000	 1x 390010300  2x 521033500		

		 4x 5-500	 4x 5,0-60SU	 6x 3900100xx	 2x 190040200	 4x 4,0-16LH
 8x 195050330	 2x 3,5-20SU	 2x 190040610	 2x 19500000	 1x 390010300  2x 320330100		

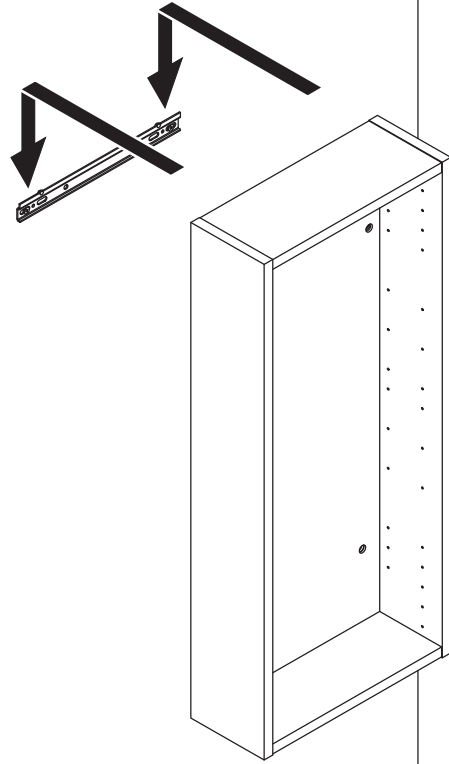
		 4x 5-500	 4x 5,0-60SU	 6x 3900100xx	 2x 190040200	 4x 4,0-16LH
 8x 415532	 2x 3,5-20SU	 2x 190040610	 2x 19500000	 1x 390010300  2x 320330100		

		 4x 5-500	 4x 5,0-60SU	 6x 3900100xx	 2x 190040200	 4x 4,0-16LH
 8x 415532	 2x 3,5-20SU	 2x 390010110	 1x 190320150	 2x 190320154-1	 1x 190320152	 1x 190320154-2
 1x 190320154-3	 1x 390010300  2x 320330100					

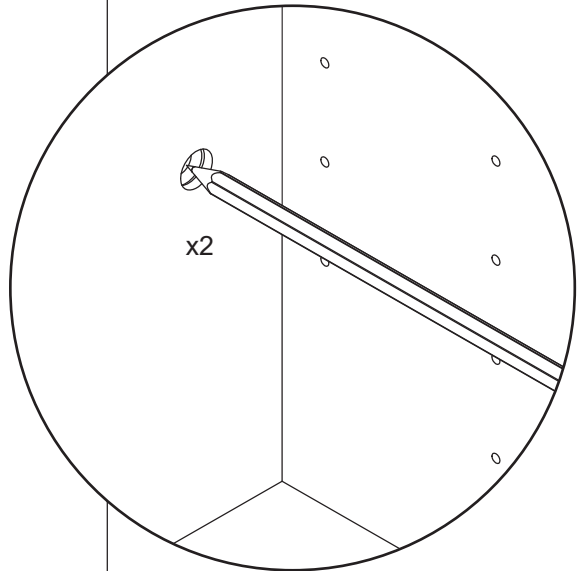
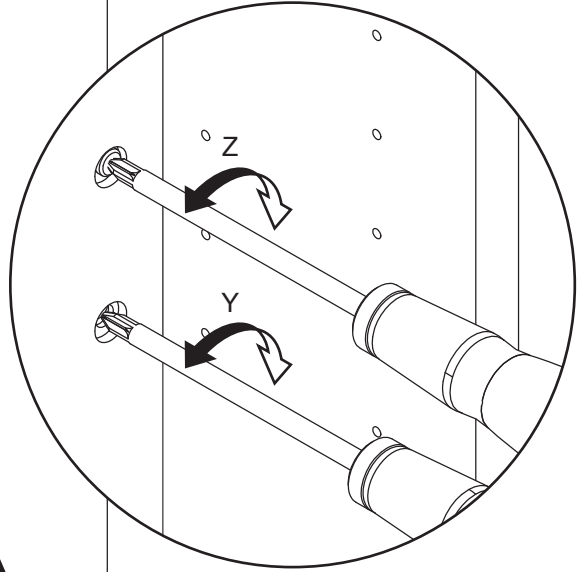
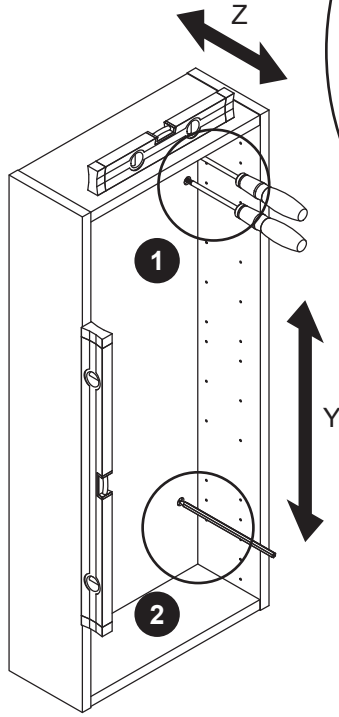
1



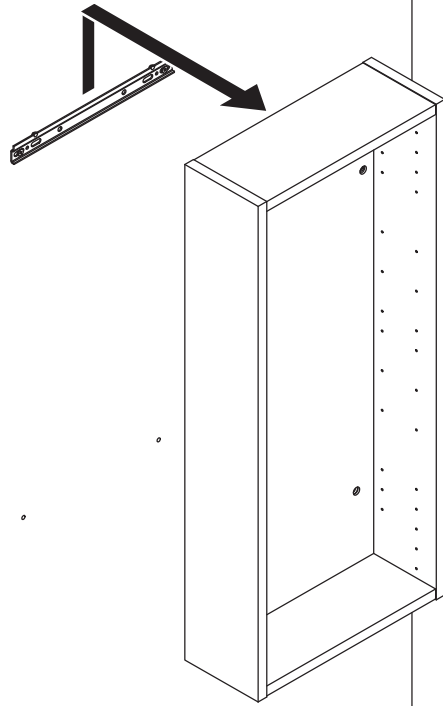
2



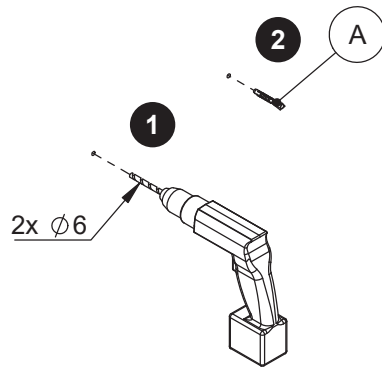
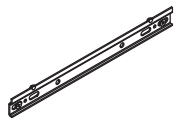
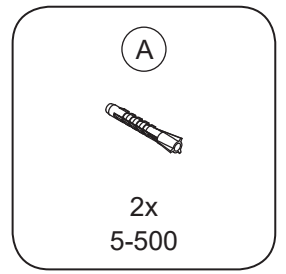
3



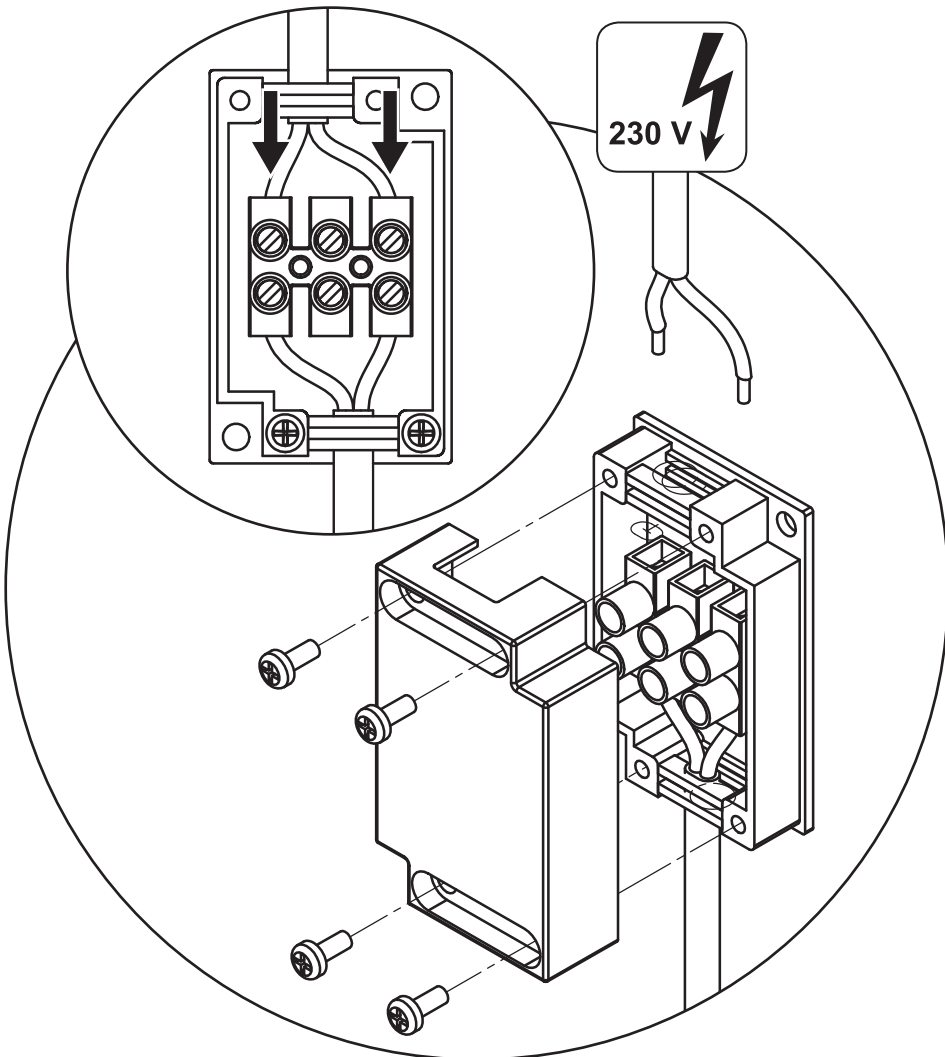
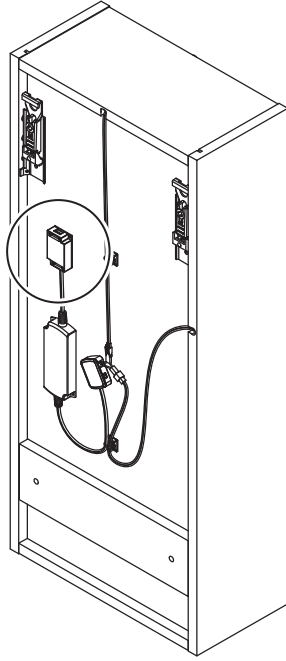
4



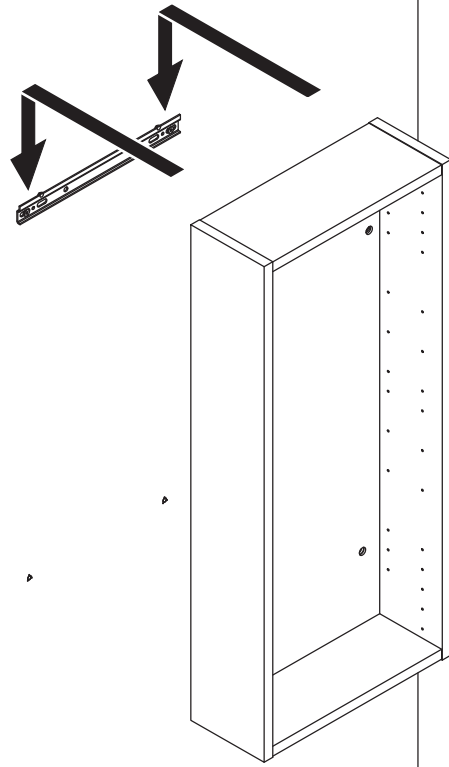
5



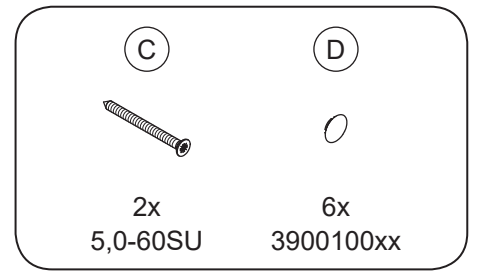
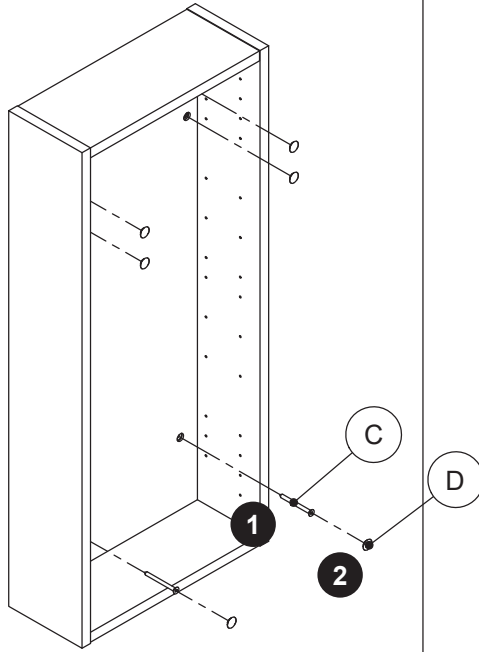
6



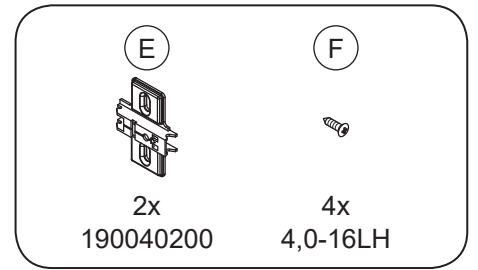
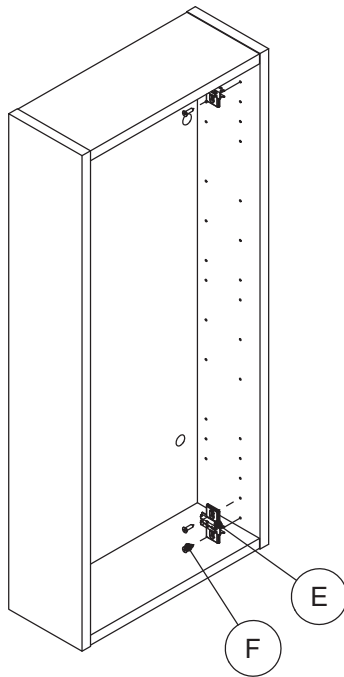
7



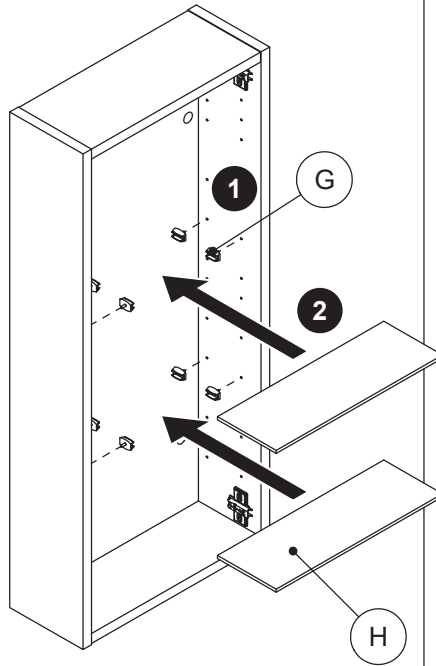
8


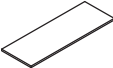

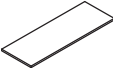






9







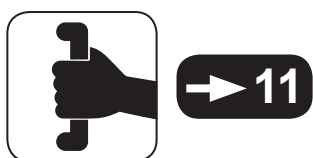
10



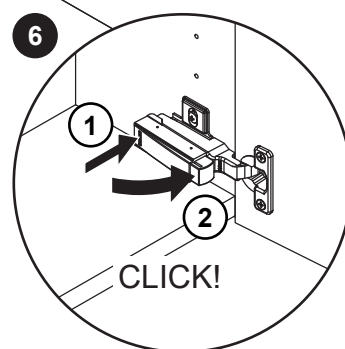
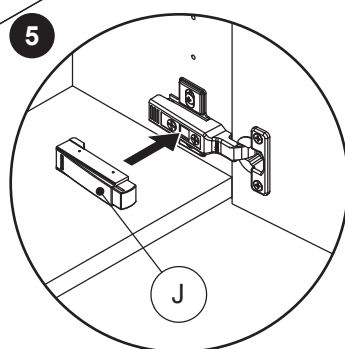
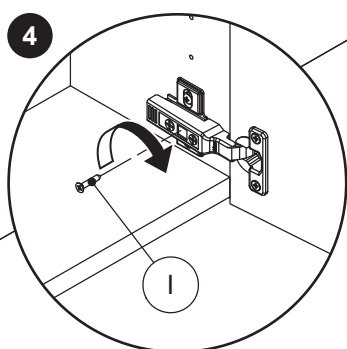
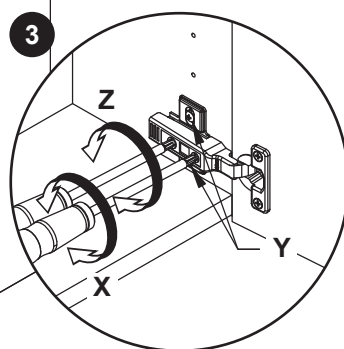
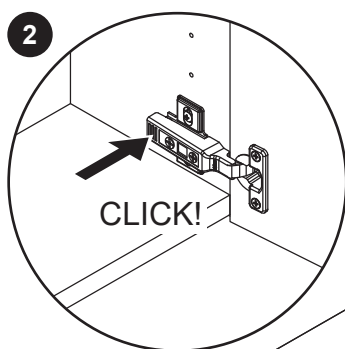
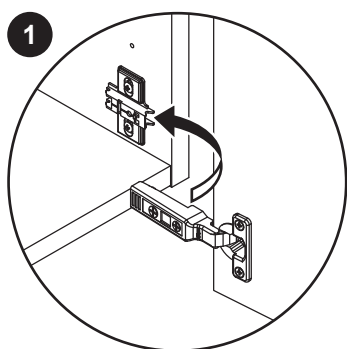
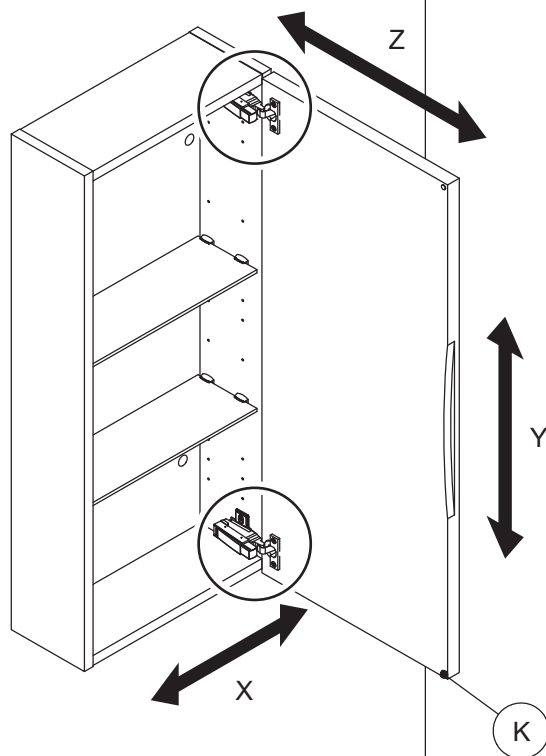
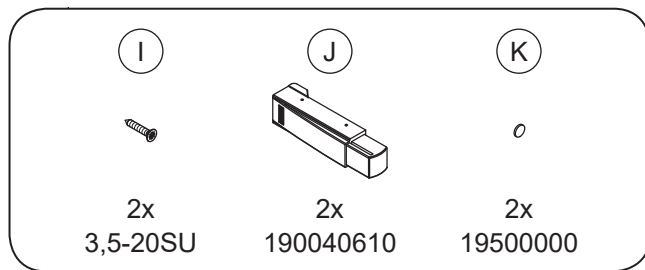
 G	 H
	
8x 195050330	2x 521033500

 G	 H
	
8x 195050330	2x 320330100

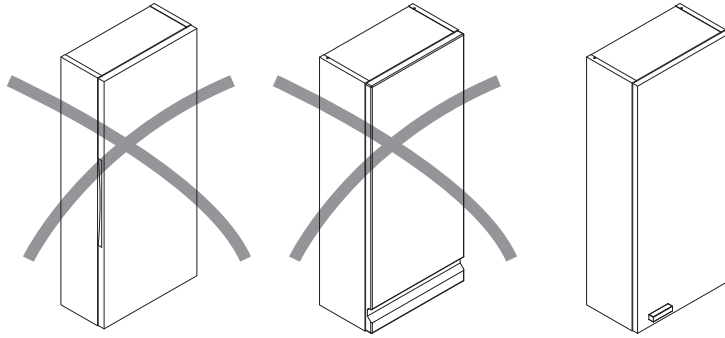
 G	 H
	
8x 415532	2x 320330100



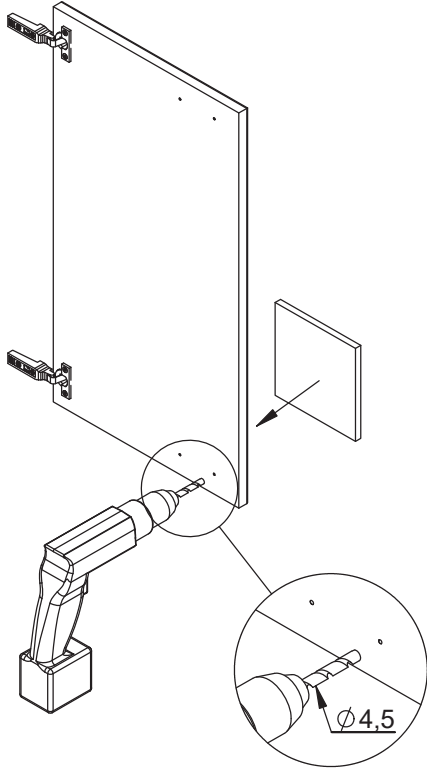
11



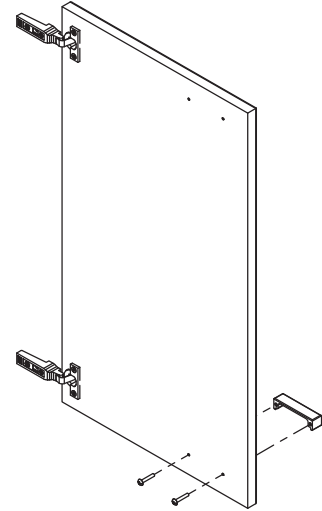
12



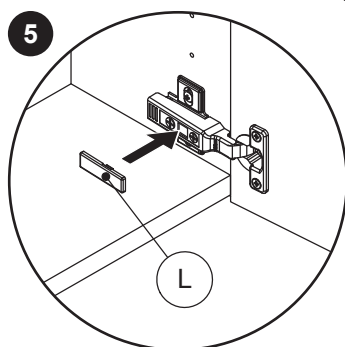
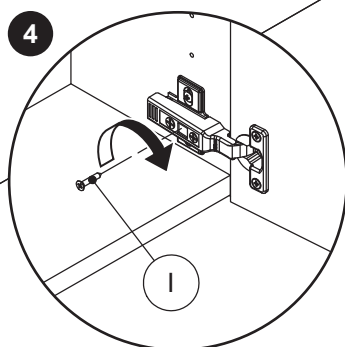
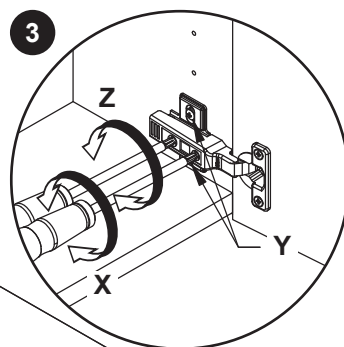
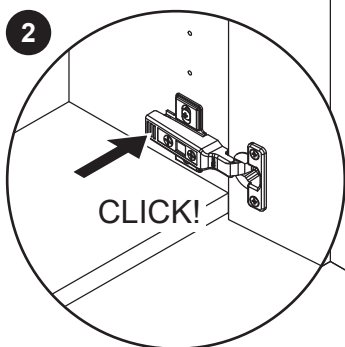
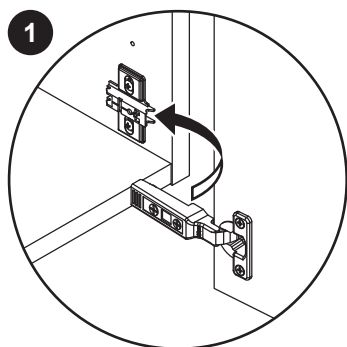
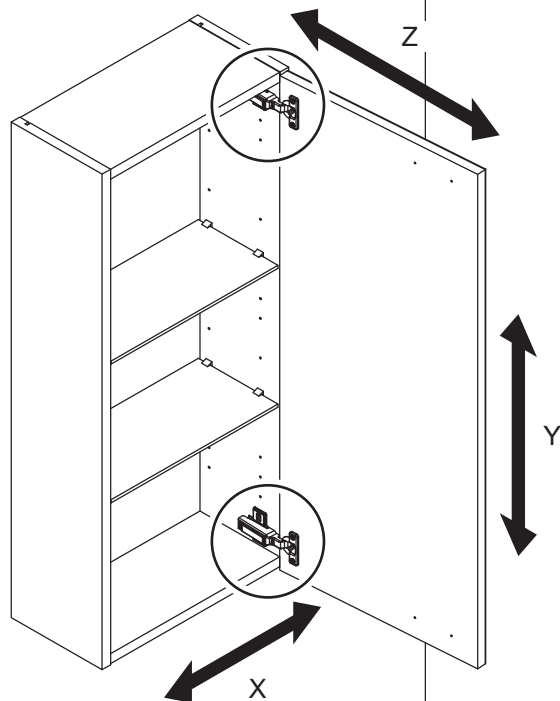
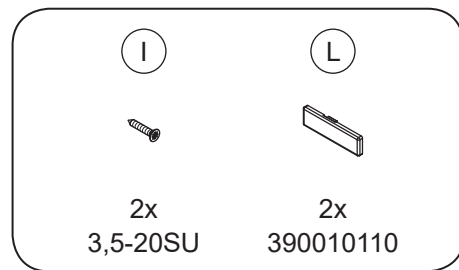
A



B



13



14



(M)



1x
190320150

(N)



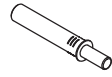
2x
190320154-1

(O)



1x
190320152

(P)

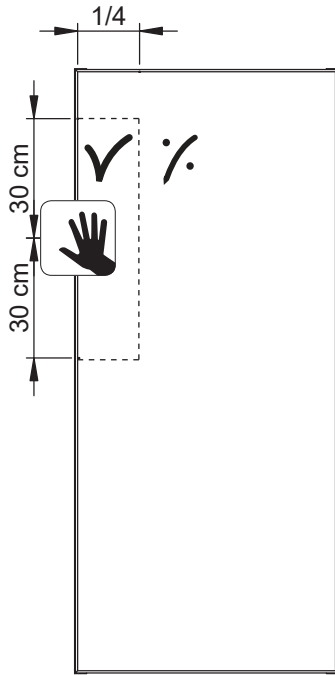


1x
190320154-2

(Q)



1x
190320154-3



8

